

COSEC PANEL LITE V2

Quick Start



MATRIX COMSEC

Head Office

394-GIDC, Makarpura, Vadodara - 390010, India

Ph: +91 265 2630555, +91 9374474302

Email: Support@MatrixComSec.com

Website: www.MatrixSecuSol.com

V.1.0, July'16



CONTENTS

Know Your Panel Lite V2	3
Modes of Panel Lite V2	4
What Your Package Contains	4
Prepare For Installation	5
Mounting the Panel Lite V2	5
Connecting Interfaces with Panel Lite V2	7
Powering On the Device	9
LED Status Indicators	9
Configuring Network Settings	10
Panel lite V2 in Standalone mode	11
Panel lite V2 in Server mode	11
Adding Panel lite V2 in COSEC Server	12
Wall Mounting Template	13
Technical Specifications	15

Please read this guide first for correct installation and retain it for future reference. The information in this guide was current at the time of publication. However, Matrix Comsec reserves the right to make changes in product design and specifications without prior notice.

Copyright

All rights reserved. No part of this document may be copied or reproduced in any form or by any means without the prior written consent of Matrix Comsec.

Warranty

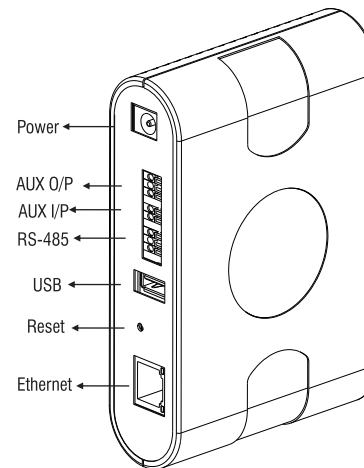
Limited Warranty. Valid only if primary protection is provided, mains supply is within limit and protected, and environment conditions maintained within product specifications. Complete warranty statement is available on our website:

www.MatrixSecuSol.com

Technical Specifications

Specification Parameter	COSEC PANEL LITE V2
General	
Total Doors	255
Max Doors on Ethernet	255
Max Doors on RS-485	32
User Capacity	25000
Event Buffer	5,00,000
Communication	Ethernet or RS-485
Mode of Operation	Standalone: Use built in GUI to control Matrix Door Controllers and Users Server: Used for feature and Capacity enhancement for Access Control and connected with COSEC Centra Server
AUX-IN Port	One
AUX-Out Port	Form C SPDT Relay output, max 5A@24 VDC
Door Type Support	COSEC ARC, COSEC PATH Series, COSEC VEGA Series, COSEC DOOR PVR, COSEC DOOR FOP
LED Indicators	Three
Physical	
Dimensions (WxHxD)	81mm x 125mm x 32.5mm
Weight	135 g (approx.)
Environmental	
Operating Temperature	0° to 45°C
Humidity Range	5% to 90 % RH Non-Condensing

Know Your Panel Lite V2



The COSEC Panel Lite V2 manages multiple door controllers and act as local bridge between Door Controllers and COSEC CENTRA Application Server.

In real time applications, COSEC Panel lite V2 provides advanced access control features configured at your location providing enhanced security at your site.

When you need Panel lite V2?

1. When no. of user exceeds door's capacity.
2. Single location installation with Standalone based architecture.
3. When advanced security features are needed for Access Group, Levels, Zone, Route, Dead Man Zone, DND, IO Linking, Man Trap, Anti Pass back and many others.

Modes of Panel lite V2

The COSEC Panel Lite V2 is made to work in Server mode as well as in Standalone mode.

Standalone Mode

- In standalone mode of operation, you don't need COSEC Centra Server.
- Panel lite V2 itself acts as master controller and is responsible for synchronizing all door controllers, implementing access control features and storing events.
- For small installation, it is easy to enroll users and manage user access policies.

Server Mode

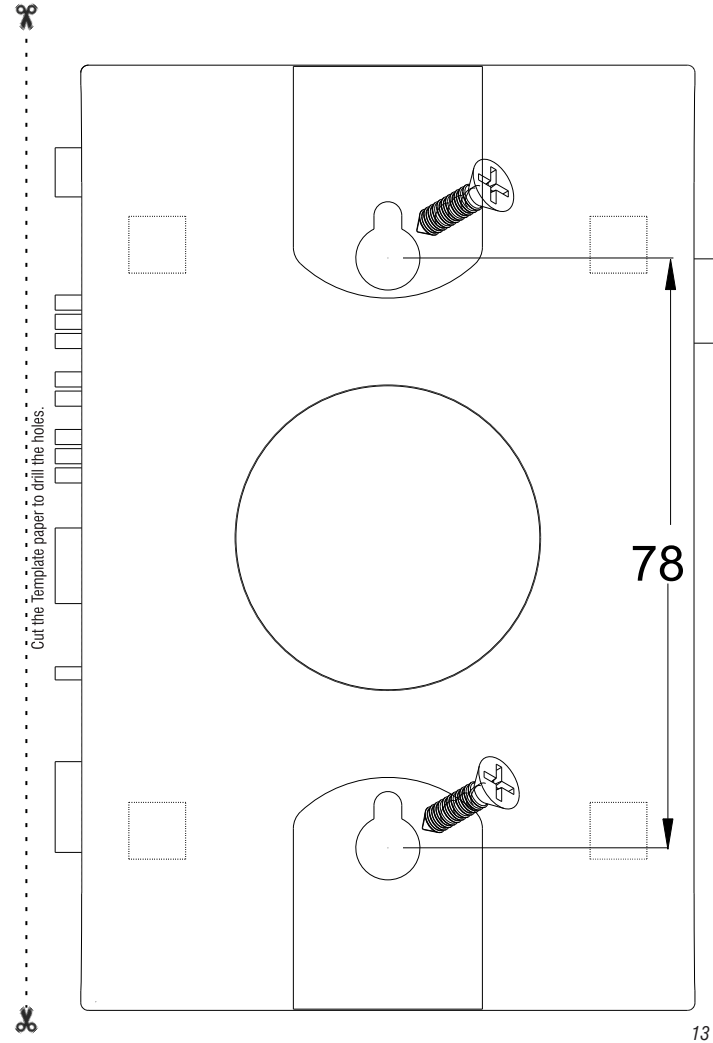
- In Server mode of operation, you must have COSEC Centra Server to use advanced access control features like Visitor Escort Rule, Guard tour etc.
- It is used for monitoring devices at multiple locations, to send real-time data and notification at a central server.
- COSEC Centra controls and monitors entire application from the central place.

What Your Package Contains

- COSEC Panel Lite V2
- Power Adapter
- Screws and Screw grip
- Warranty Card
- Quick Start
- Mounting Template (Page-13 of Quick Start)

Things You Will Need

- A Wire Stripper
- A Screw Driver Set
- Insulation Tape
- Access to the COSEC Server
- A Stand-alone Computer with a Web Browser to change the Network Settings of the Panel Lite V2.

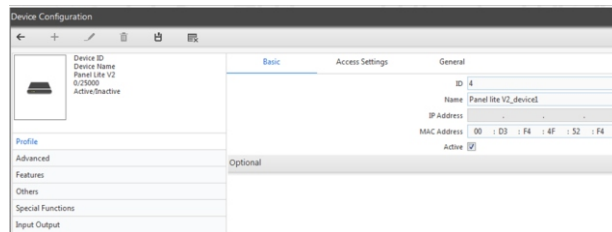
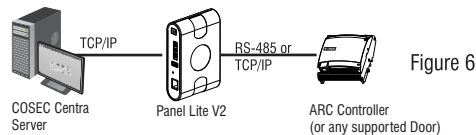


- Then re-login into the panel lite V2.
- Go to **Configuration > Panel Configuration**. Select **Server Settings**.
- Select the Network interface through which you want to connect with the server.
- Give the **IP address** or **host name** of the PC where COSEC server is installed.
- Test the connection by specifying the URL of the server.
- The connected panel lite V2 will show status as Online.

Adding Panel lite V2 in COSEC Server

To use the Panel lite V2 with COSEC server application, you must add the Panel lite V2 in COSEC Server using following steps.

- Open the COSEC Server application on a browser.
- Go to **Devices > Device List** > Click the **New** icon.
- On the **Select Device Type To Be Added** window, select **Panel Lite V2**.
- Click the **Continue** button. The **Device Configuration** window will open.



- Go to **Profile > Basic**.
- Enter the **Name** and **MAC Address** of the COSEC Panel lite V2.
- Click **Save**.
- After you have added successfully, the Panel lite V2 will go online.

Prepare For Installation

- Unpack the Panel Lite V2 and check your package contents.
- Select a suitable location for **Wall mounting**. It must be a flat surface such as inside an electrical gauge box.
- Or you can also do **Table Top mounting**.
- Read the relevant sections on mounting and connecting the Panel Lite V2 (recommended) before proceeding with installation.

WARNING

- Installation and Servicing should be done only by a qualified technician.
- Panel lite V2 must be located at minimum distance of 2m from any high voltage equipment or wiring.

Mounting the Panel Lite V2

- Drill two holes in the wall using the mounting template provided at page no.13. Insert the screws along with screw grip and mount the Panel lite V2 matching the screws as shown in Figure1.
- The distance between the holes is shown in the Figure2.

SAFETY INSTRUCTIONS

Do not install the device:

- On unstable surfaces.
- Where ferromagnetic field or noise is induced.
- Where static is created, such as desks made of plastic, carpets.
- Near volatile inflammable materials or inflammable goods such as drapes.
- Where volatile gas and/or inflammable gas is created.

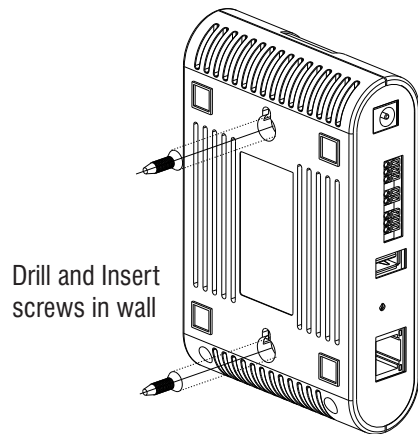


Figure 1

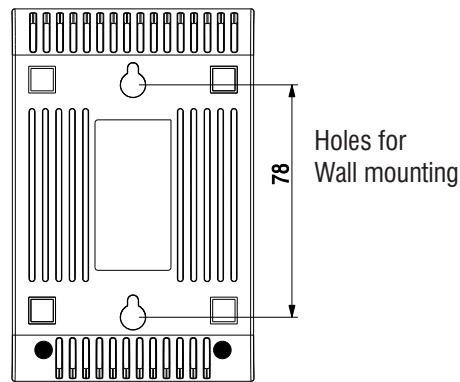


Figure 2

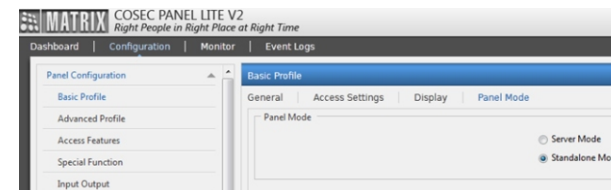


NOTE

The IP Address of Panel lite V2 can be changed if required. Ask your network administrator for an IP Address. Also ask your network administrator, if you will need to change the Subnet Mask, or configure the Gateway IP Address and DNS.

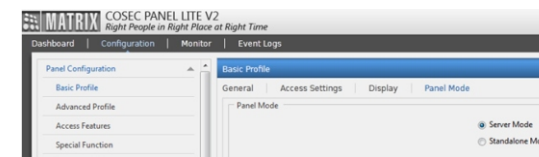
Panel Lite V2 in Standalone Mode

- From the web page of Panel lite V2, select **Configuration** tab.
- In **Basic Profile** option, select **Panel mode** tab.
- Select the option as **Standalone Mode**. Save the configuration and restart the Panel lite V2. Now it works as Standalone Panel lite.



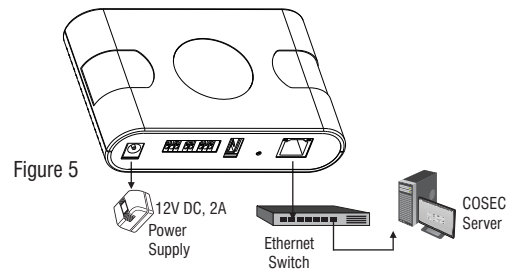
Panel Lite V2 in Server Mode

If you want the Panel lite V2 to work in Server mode then Select the Panel mode as Server mode in the webpage of Panel lite V2.



Configuring Network Settings

The COSEC Panel lite V2 can be connected to the network over Ethernet. Connect the Ethernet cable to the on-board RJ-45 port. And apply power to the Panel lite V2.



To configure network settings for the COSEC Panel lite V2, follow these steps:

The COSEC Panel lite V2 is pre-configured with a default IP address **192.168.50.1** and Subnet Mask **255.255.255.0**

- Open a Web browser on your computer.
- Enter the IP address of the Panel lite V2 (default: <http://192.168.50.1>), in the address bar of the browser and press the Enter key on your computer keyboard.



- Enter the login credentials for the Panel lite V2.
Default Username: **Admin**; User defined Password.
- Click **Login** to access the Panel lite V2 webpage.

Connecting Interfaces with Panel Lite V2

- Connect the required cables with reference to Figure 3. To do this, insert the wires into their respective Connection Terminals.

To connect wires to the RS-485 and AUX ports:

- Push back the orange lever of the connector of appropriate port, using a blunt pin or a small flat screw driver.
- Insert the stripped end of the wire into the opening of the connector.
- Release pressure on the levers. The wire will be held in place by spring clamp action.

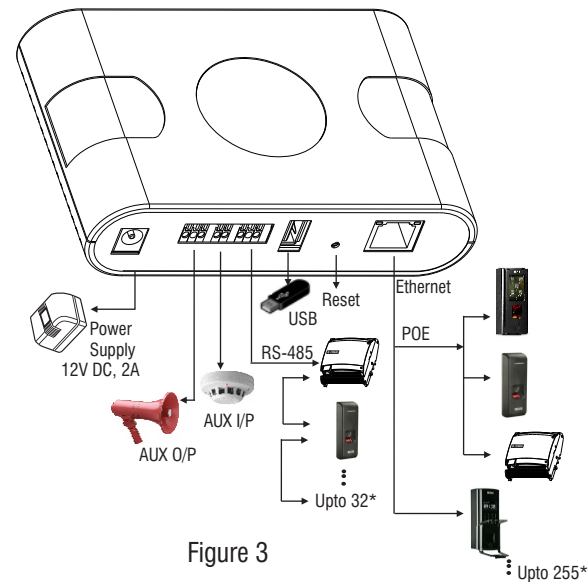


Figure 3

NOTE

* Maximum doors using both Ethernet and RS-485 connection in Panel lite V2 supports 255 doors.

Connecting Doors

- Using RS-485 port, you can connect upto 32 devices* in a loop. These devices can be COSEC Door V1, COSEC Door V2, COSEC PATH and COSEC ARC.
- At Ethernet port, you can connect upto 255 devices* through Ethernet switch. The devices include COSEC Vega, COSEC Door V1, COSEC Door V2, COSEC PATH, COSEC ARC and COSEC PVR. The POE enabled devices will not require external power supply.

Connecting Auxiliary Input

You can connect a sensor for detecting alarm conditions using AUX IN port. For this connect the wire pair from the sensor device to the auxiliary input port.

Connecting Auxiliary Output

The Auxiliary Output port can be used for activating alarm devices like hooter; energize some devices; control annunciation devices. For this connect the wires from the alarm devices to the AUX Relay.

USB

The USB port can be used for connecting Wi-fi dongle and mobile broadband dongle. It is used to download events directly from Panel lite V2 to USB memory.

Reset

The Reset pin can be used to default the password and network settings of the Panel lite V2.

SD Card

The SD card is used for the storage of internal processing data.

⚠ Do not remove the Pre-installed SD card.

* Check for the supported device variants.

Powering On the Device

Apply 12V DC, 2A power supply to the COSEC Panel Lite V2 and wait for the reboot cycle to complete. At the time of device start up i.e. Bootloader state, the Power LED will glow to a constant Red color.

The Panel Lite has 3 LEDs i.e. **ALARM**, **STATUS** and **POWER**. The table below shows some common indications:

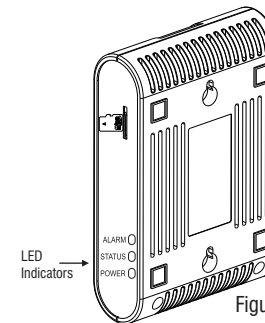


Figure 4

LED Status Indicators

Device State	Power LED	Status LED
Power ON Sequence	Red ON	Orange blinking
Idle-Online (when online with server)	Red ON	Green blinking
Idle-Offline	Red ON	Red blinking
Idle-Network Fault/Link fail	Red ON	Orange blinking

ALARM LED blinks Red during Power ON sequence.

- During Critical Alarm, LED becomes Red ON till Reset.
- During Minor and Major Alarm, LED blinks Red.