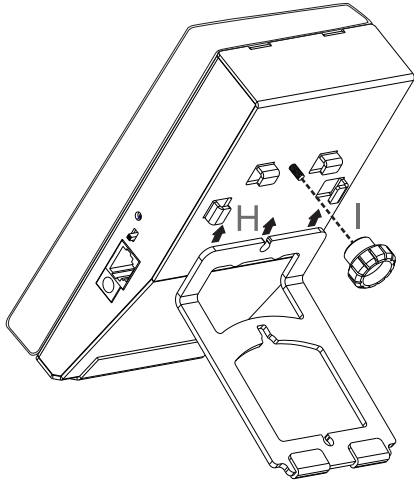


## Installation For Table-Top Use



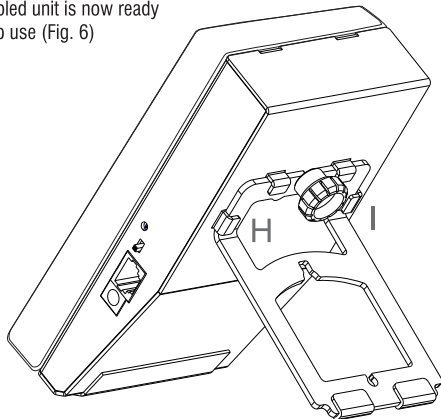
**Fig. 5.**

1. For Table-Top Installation, align the shorter end of the stand against the back cover below slots **H & I** as shown (Fig. 5).

2. In this position, slide the stand upwards through slot **H & I** until it locks at the top.

3. Insert and tighten the knob to lock the stand in this position.

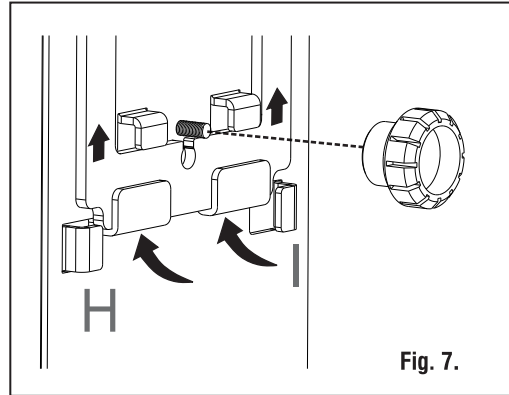
4. The assembled unit is now ready for table-top use (Fig. 6)



**Fig. 6.**

## Installation For Wall-Rest/Hand-Held Use

1. Place the longer end of the stand against the back cover of the assembled unit so that the bottom edge of the stand rests easily between slots **H & I** (Fig. 7).



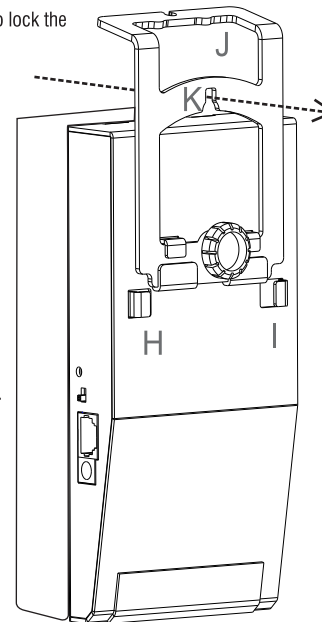
**Fig. 7.**

2. Now, push the stand upwards until it locks at the top.

3. Insert and tighten the knob to lock the stand in this position.

4. In this position, the stand can be used to:

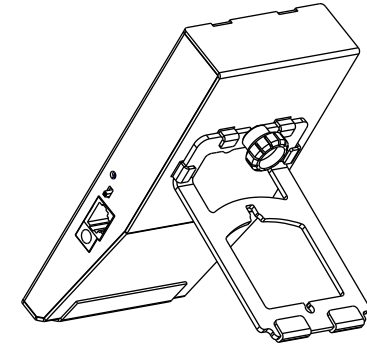
- Carry the unit using bracket **J**.
- To suspend the unit from any vertical surface (For e.g. a wall) using the suspension slot **K** (Fig. 8).



**Fig. 8.**

## COSEC Vega BBU

### Quick Installation Guide



### MATRIX COMSEC

**Head Office**  
394-GIDC, Makarpura, Vadodara - 390010, India  
Ph: +91 265 2630555  
Email: Support@MatrixComSec.com

Website: www.MatrixSecuSol.com

## Know Your COSEC Vega BBU

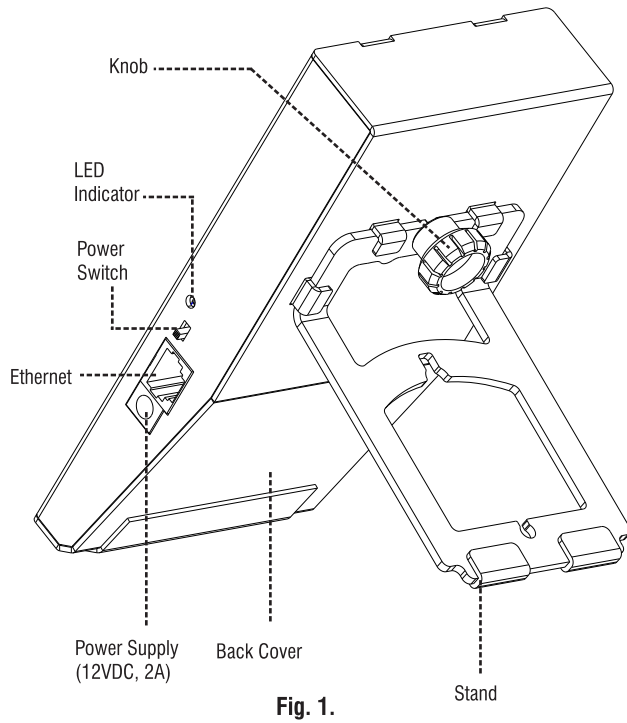


Fig. 1.

## LED Indication

Battery Status	LED Indication
Battery Charging	Green Continuous
Battery Fully Charged	OFF
Low Battery	Red Continuous
Battery Absent	Green Blinking

## Battery Specification

Battery Type	3.7V Li-Ion 18650, Rechargeable
No. of Batteries	4
Battery Backup	8 hours with a 3.7V 3000 mAh 18650 battery (varies with the battery current rating)

## Inserting Battery

1. Remove the two screws **A** & **B** at the base of the COSEC Vega BBU (Fig. 2).
2. Pull the back cover outwards and then upwards from the base to remove it.

Fig. 2.

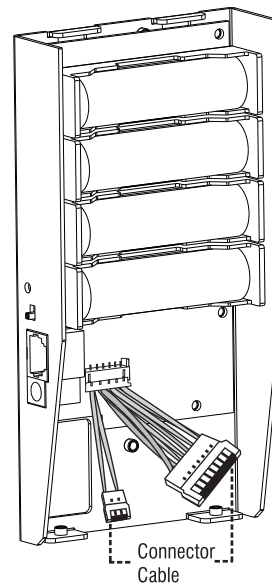
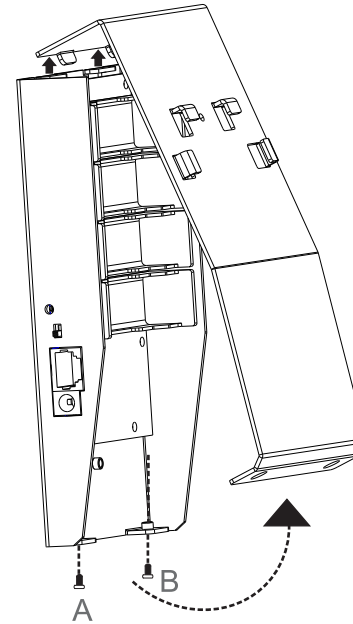


Fig. 3.

3. Insert each of the four batteries matching the polarity as indicated on the respective slots (Fig. 3).
4. Replace the back cover.

## Assembly Instructions

Follow the steps to assemble the COSEC Vega Controller unit with the COSEC Vega BBU:

1. Align Screw Holes **C** & **D** on the COSEC Vega Mounting Plate to holes **E** and **F** respectively on the front side of the COSEC Vega BBU.
2. Insert screws as shown in Fig. 4.

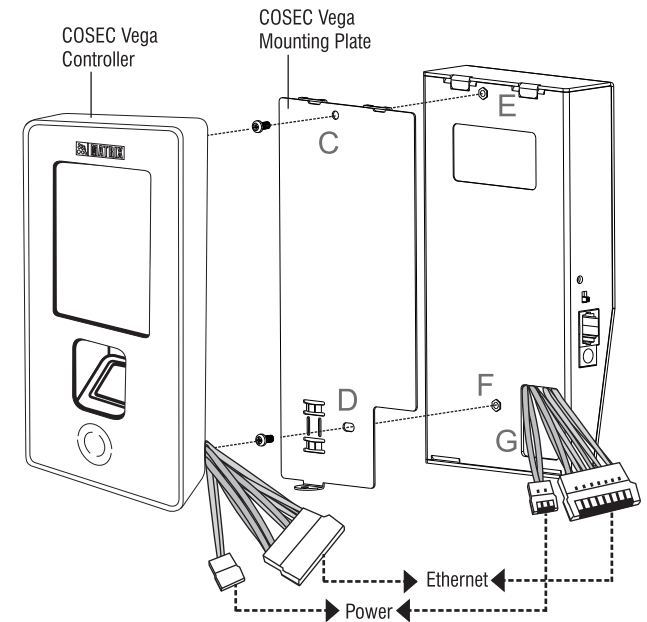


Fig. 4.

3. Draw the Power and Ethernet male connectors out through the opening **G**. Connect with the respective female connectors on the COSEC Vega Controller. Pass the unused cables through opening **G** into the COSEC Vega BBU.
4. Refer to the COSEC Vega Controller Quick Start to complete the mounting and installation of the COSEC Vega Controller.

## CAUTION!

- During installation/maintenance, ensure that the COSEC Vega BBU is in the OFF mode. Switch off the main supply and the BBU power switch prior to maintenance.