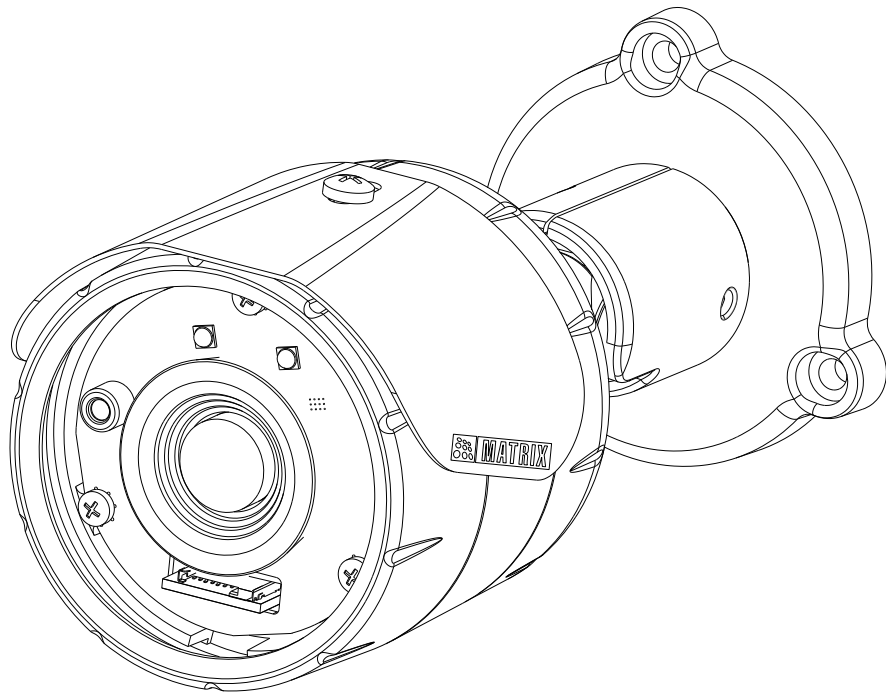


SATATYA Professional Bullet IP-Camera

The Persistent Vision



Safety Instructions

These instructions are intended to ensure that the user can use the product correctly to avoid danger or property loss.

Cautions

- Ensure that the power supply voltage is correct before using the camera.
- Avoid placing cables too close to magnetic or high voltage devices, to reduce undesirable image noise.
- Do not touch sensor modules with fingers. For cleaning use 'clean cloth' and wipe it gently.
- Do not mount the camera with the lens facing the sun or bright light to prevent damage to the sensor.
- Do not expose the camera to temperatures below or beyond its operating temperature.
- Do not mount the camera near a radiator or a heater.

Warning

- In the use of the product, you must be in strict compliance with the electrical safety regulations of the region and nation.
- Do not connect several devices to one power adapter as it may cause over-heating or fire hazard.
- If smoke, odour or noise rise from the device, turn off the power at once and unplug the power cable, and contact the nearest service center.
- To prevent electrical shock, turn off power supply before making electrical connections.

Contents

Know your Camera	4
What your Package Contains	5
Things you will Need	5
Camera Variants	5
Installation	7
IP66 Protection Accessory Installation	8
Installing Mounting Template	11
Mounting the Camera	11
Adjusting the Camera Angle	13
Connecting cables	14
Accessing Reset Pin and SD card slot	15
Network Configuration	18
Accessing via Web Browser	19
Technical Specification	23

Please read this guide first for correct installation and retain it for future reference. The information in this guide is prevailing at the time of publication. However, Matrix Comsec reserves the right to make changes in product design and specifications without prior notice.

Copyright

All rights reserved. No part of this document may be copied or reproduced in any form or by any means without the prior written consent of Matrix Comsec.

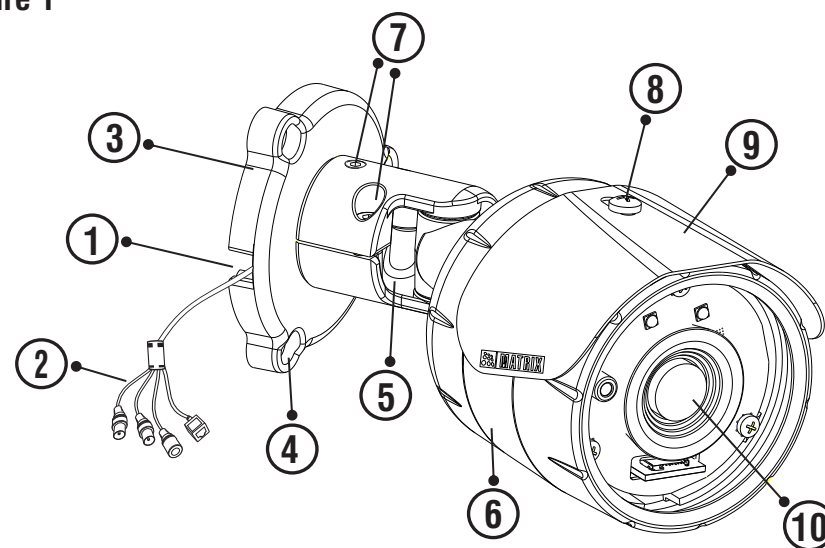
Warranty

Limited Warranty. Valid only if primary protection is provided, mains supply is within limit and protected, and environment conditions maintained within product specifications. Complete warranty statement is available on our website:

www.matrixvideosurveillance.com

Know your Camera

Figure 1



- | | |
|----------------------|--------------------------------------|
| 1. Cable Guide | 6. Camera Body |
| 2. Cable Assembly | 7. Screws for adjusting Camera Angle |
| 3. Base Plate | 8. Sunshield bolt |
| 4. Hole for Mounting | 9. Sunshield |
| 5. Pivot Joint | 10. Lens (Fixed) |

The **Standard** variant consists of 2 connectors: Power Connector and Ethernet connector (POE).

The **Premium** variant consist of 4 connectors: Power Connector, Ethernet Connector (POE), Audio IN and Audio OUT.

What your Package contains

- Bullet IP Camera Unit
- Wall Mounting Template
- Wall Mounting Screws with Screw Grip (3 nos.)
- Cable Accessories for weather proofing

Things you will Need

- A Power Drill, Screwdriver Set, Pliers, Wire-cutter, Ladder, Allen Key number 2.5.
- Necessary Cabling
- A Power Supply with the recommended output voltage of 12V DC. Use an adapter to connect the camera to the power outlet.

Camera Variants

The Bullet Cameras are available in two variants; **Standard** and **Premium**. Both the variants are available in 8MP with 2.8mm, 3.6mm and 6.0mm fixed focal length.



You can capture near and broader view with lens of 2.8mm and 3.6 mm focal length. For example it can be used in ATM and Elevators.

With lens of 6.0 mm focal length, far and narrow view can be captured. For example it can be used in corridors or long passage to capture long view.

The respective available variants of **Standard** and **Premium** are listed in below table:

Type of Lens	Focal Length	Standard	Premium
Fixed	2.8mm	MIBR80FL28CWS	MIBR80FL28CWP
Fixed	3.6mm	MIBR80FL36CWS	MIBR80FL36CWP
Fixed	6.0mm	MIBR80FL60CWS	MIBR80FL60CWP

Installation

Before you start

Please make sure,

- The device in the package is in good condition and all the assembly parts are included.
- All the related equipments are powered-off before installation.
- The wall or ceiling is strong enough to support the weight of camera.

Step 1: Select a Location

Select a suitable location for your camera to enable coverage of the intended surveillance area. The location should preferably be a flat surface, such as a wall or a ceiling.

You can install the camera where cables are running through the interior of the wall or ceiling as shown in **Figure 2**. Else cabling has to be done through POE.

Step 2: Prepare for Installation

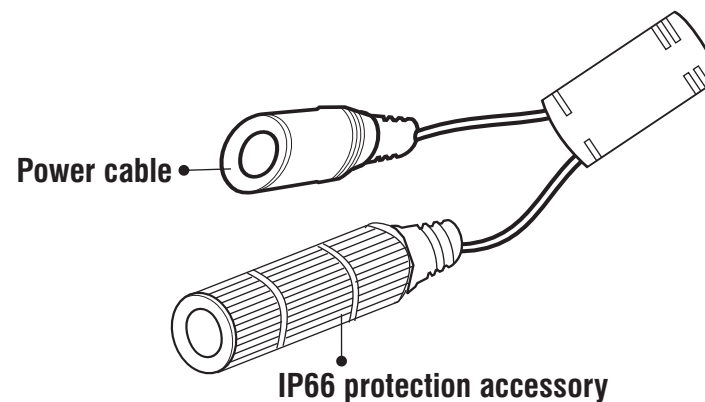
Ensure that the necessary cabling to connect the camera to LAN port and Power outlet are in place. The connecting cables from the monitoring site should be ready at the installation site.

You can insert SD card in camera to store recordings during network failover and to upload image or clip as a result of event trigger.

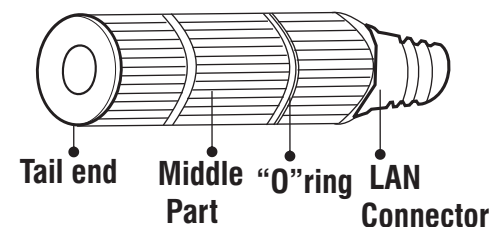
See page 15 to know how to open the camera and insert the SD card.

Step 3: IP66 Protection Accessory Installation

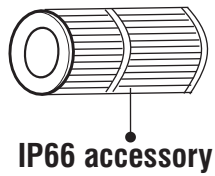
1. By default your camera contains the LAN connector fitted by IP66 protection accessory.



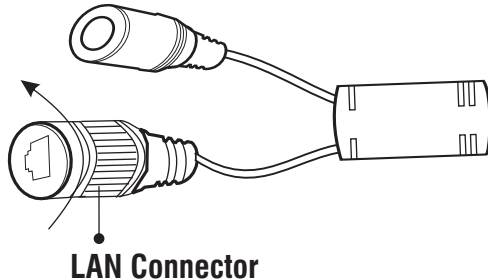
2. The IP66 protection assembly consist of tail end, middle part, "O" ring and LAN connector as shown below.



3. Rotate the middle part of IP66 assembly in anticlockwise direction to detach the IP66 accessory from the LAN connector.



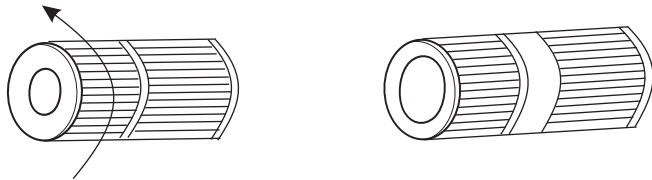
IP66 accessory



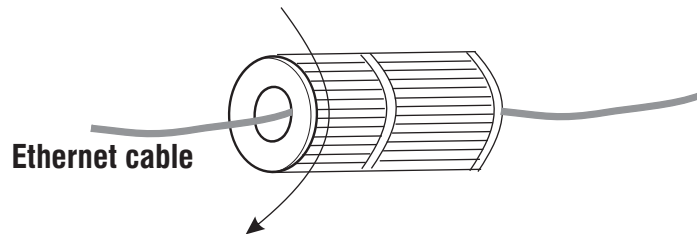
LAN Connector

 Do not remove the “O” ring from its place.

4. Loosen the tail end of the IP66 accessory by rotating it in anticlockwise direction.

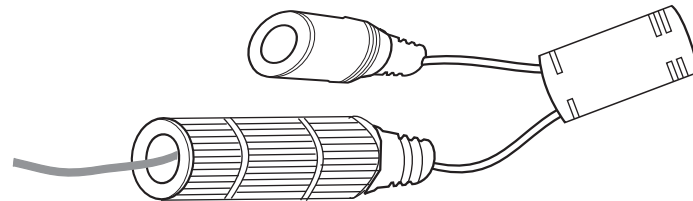
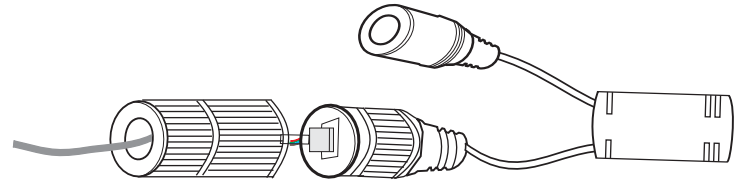


5. Insert the ethernet cable from behind. Then tighten the “tail end” by rotating in clockwise direction to its maximum and crimp the RJ45 connector.



Ethernet cable

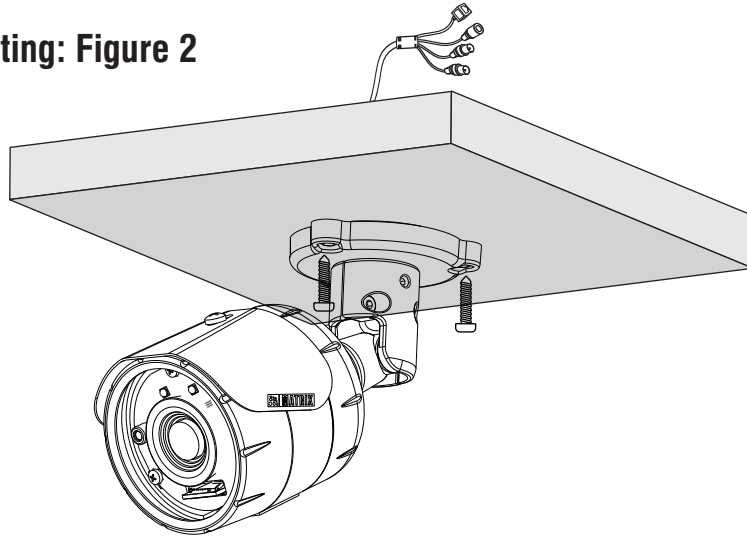
6. Insert male RJ45 connector into female connector part. Then tighten the middle part by rotating in clockwise direction.



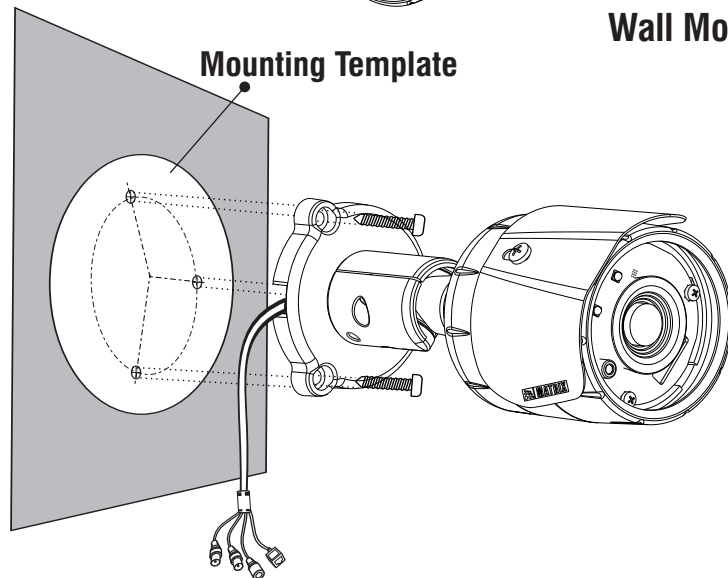
Step 4: Installing Mounting Template

- Stick the Mounting Template on the desired installation surface.
- Drill three holes through the markings of the Mounting Template on Wall or Ceiling.
- Insert the screw grips in the holes you drilled.

Ceiling Mounting: Figure 2



Wall Mounting: Figure 3



Step 5: Mounting the Camera

- To avoid cable damage, take the Power, Ethernet, Audio IN, Audio OUT cables of the camera through the cable guide on the base plate, see **Figure 3**.
- Align the screw holes on the base plate with those you drilled on the installation surface.
- If the cabling is running through the interior of the wall or ceiling behind the installation surface then, drill the hole (20mm approx) on the center of the mounting template through the false ceiling. Before you mount the base plate, pull the cables of the camera through the hole drilled on the installation surface, see **Figure 2**.
- Secure the base plate of the camera on the installation surface with the supplied screws.

Step 6: Adjusting the Camera Angle

- Use the Allen Key to loosen the socket screws on the pivot joint between the base plate and the camera body.
- Tilt the camera body to achieve the desired angle. You can turn the camera upto 360 degrees.
- Hold it at the desired angle and tighten the socket screw with the Allen Key.

Figure 4

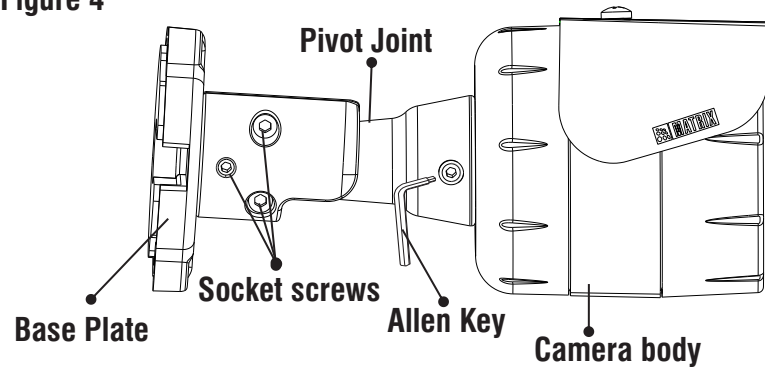
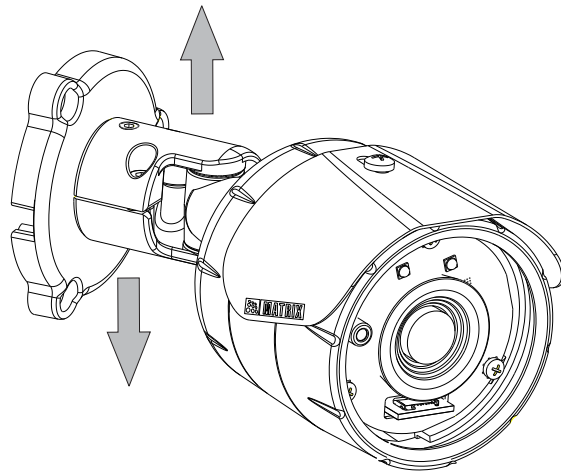



Figure 5



LED: CLASS1 (Category RS1)

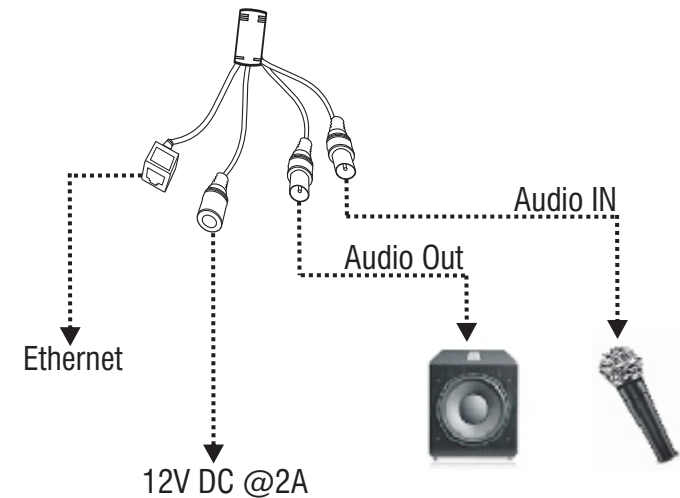
 Never look at the transmit laser while the power is on. Never look directly at the fiber ports and the fiber cable ends when they are powered on.


Use of controls or adjustment to the performance or procedure other than those specified herein may result in hazardous laser emission.

Step 6: Connecting Cables

- Connect the **Ethernet** cable to LAN port and **Power** cable to the 12V DC power supply.
- In Premium variants, connect the Audio I/O cables if required.

1. You can connect the **Audio Input** device such as Mic to the Audio Input cable of the camera. The audio when enabled will be recorded with the video and will be available at the monitoring location.
2. You may connect the **Audio Output** device such as earphone or speaker to the Audio Output cable of the camera. This will generate audio received from the network.



 If devices such as Mic and Speaker can be connected to Audio IN and Audio OUT, you may need to connect an external power source if their power requirements are not fulfilled with the camera adapter.

Power over Ethernet (PoE)

The IP camera is PoE- compliant, allowing transmission of power and data via a single Ethernet cable connected to PoE switch.

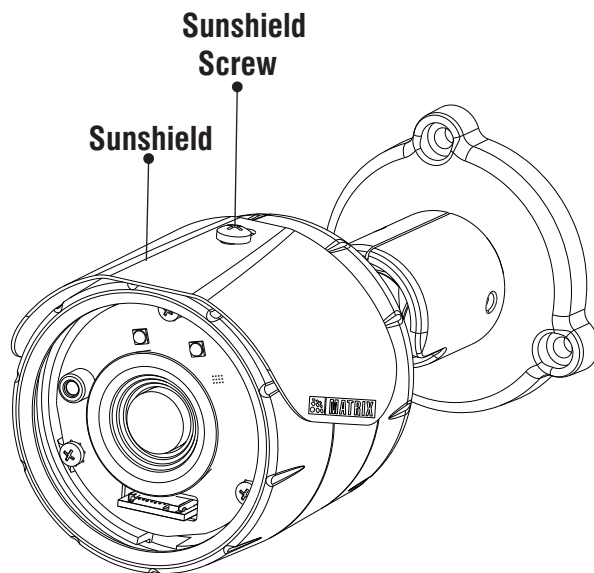
Accessing Reset Pin and SD card slot*

If you forget the IP address or login credentials of camera then the camera can be reset to factory default settings using the reset pin.

To access the Reset pin

1. Open the Sunshield by removing the sunshield screw.

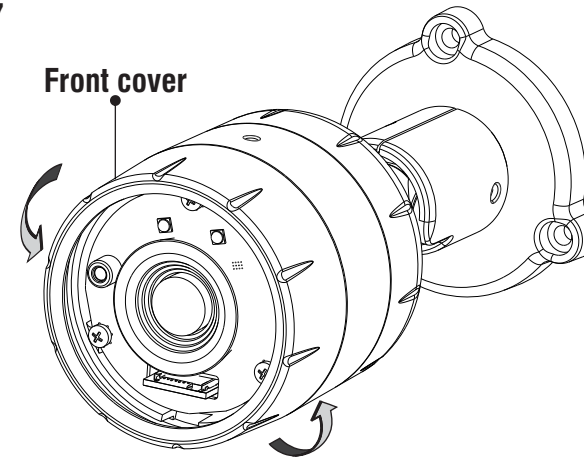
Figure 6



! SD Card Slot is available in Premium variants only.

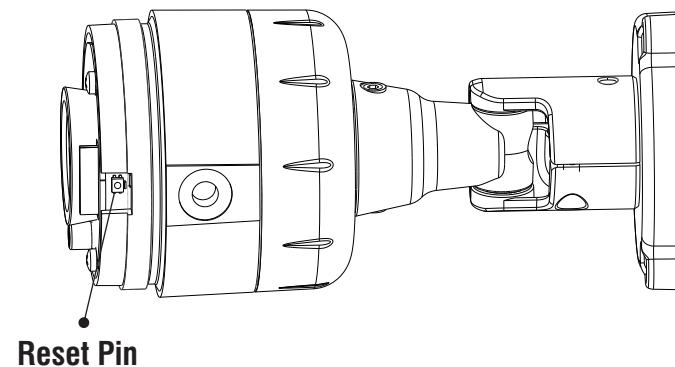
2. Open the front cover by rotating it in the anti-clockwise direction.

Figure 7



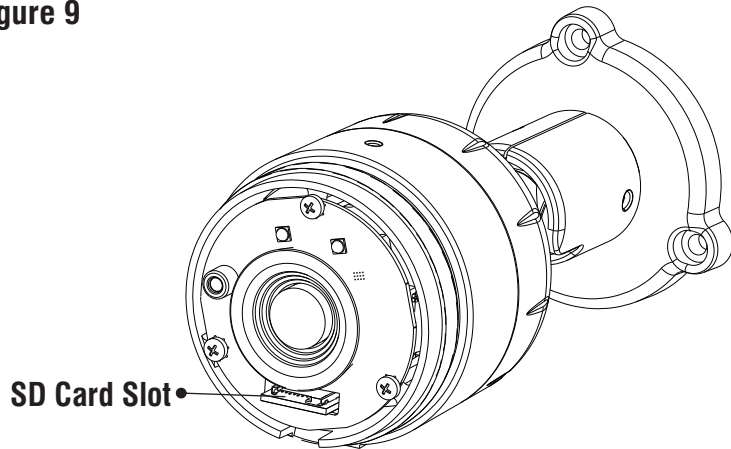
3. Press the Reset switch for minimum 5 sec and release the switch to reset the camera to default settings.

Figure 8



4. You can insert the SD card in the slot to store your camera recordings.

Figure 9



! After Reset or SD card insertion, you may need to set the camera focus and camera angle.

If you insert the SD card when the camera is running, make sure you reboot the camera.

Network Configuration

To view and configure the camera via LAN (Local Area Network), you need to connect the network camera in the same subnet with your PC. Then install the software to configure the IP address.

Steps to get the IP address

- Once the camera is connected to the network, it will automatically be assigned a dynamic IP address by the DHCP server. You can view the assigned IP address through any IP scanner utility.
- If DHCP server is unavailable or is not able to provide an IP address then **192.168.1.126** will be set as default IP address.
- You can change the IP address and subnet mask of Camera from the Basic Settings page of camera.

A screenshot of a web interface titled 'IP Address Settings'. The interface is divided into two main sections: 'IP Address Configuration' and 'DNS Configuration'.
In the 'IP Address Configuration' section, there are several fields:

- Host Name: matrix-cam12
- IP Configuration: Static
- IP Address: 192.168.104.38
- Subnet Mask: 255.255.255.0
- Default Gateway: 192.168.104.1

In the 'DNS Configuration' section, there are:

- DNS: Specified (selected) and Auto (unselected)
- Preferred: 192.168.100.5
- Alternate: (empty field)

Accessing via Web Browser

The IP cameras are supported by Microsoft Windows Operating System.

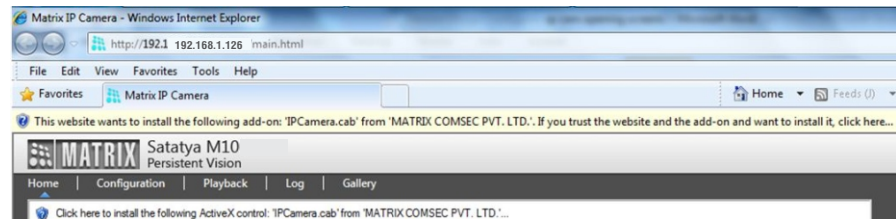
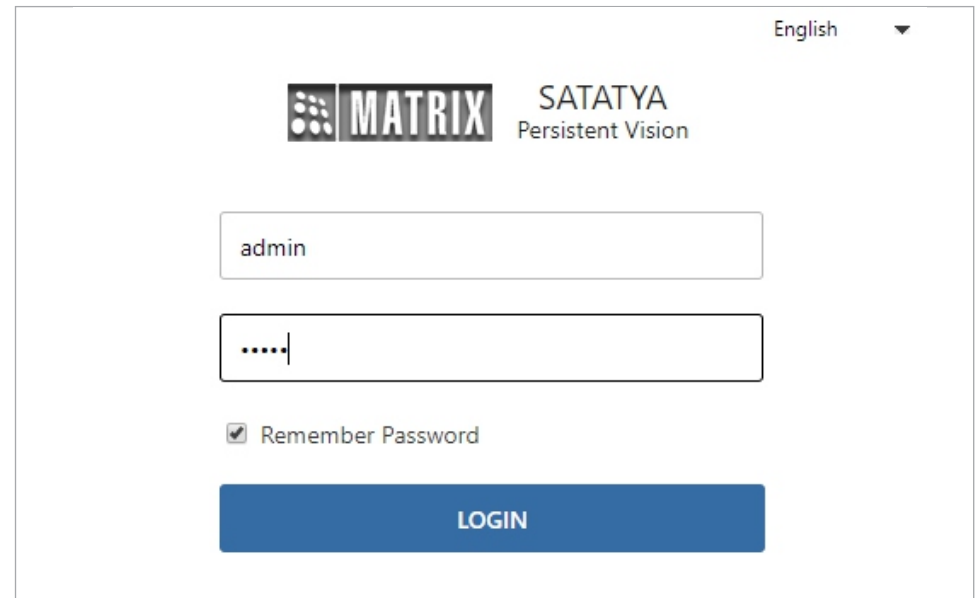
- ! In Internet Explorer you can access the camera with Matrix ActiveX plugin. In other browsers you need to install Quicktime or VLC plugin.

Steps:

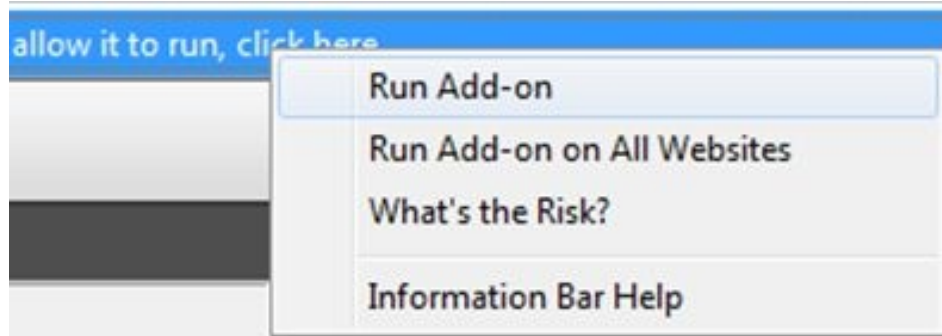
- Run the web browser as administrator.
- In the browser address bar, type the IP address of the camera e.g., 192.168.1.126 and press the Enter key to open the login interface.



- Enter the User Name and Password.
- By default, you can login with User Name as **admin**, **operator** or **viewer** with the password as **admin**, **operator** and **viewer** respectively.
- Click on Login.



- The browser will ask you to install ActiveX control.
- Click on Run Add-on to install the plugin.



- The ActiveX control will get installed on your PC.
- Now you can **Run** the plugin.



- Install the Camera software by clicking on **Install**.



- The home page of the camera will open and the live view will be displayed.



- The camera configuration can be set from Configuration tab.

Technical Specification

Specification	Standard	Premium
Power Supply		
User Adapter	12V DC	
PoE	Yes (802.3af, Class 3)	
Power Consumption	12VDC 0.5A; Max: 6W PoE (36V to 57V)(0.21A to 0.13A); Max: 7.5W 12VDC 0.625A; Max: 7.5W PoE (36V to 57V)(0.24A to 0.15A); Max: 8.75W	
MIBR80FL36CWS/ MIBR80FL60CWS		
MIBR80FL28CWS		
Connectors		
Ethernet	Yes	
WiFi	No	
Audio IN	No	Yes
Audio Out	No	Yes
Alarm IN	No	
Alarm Out	No	
Casting		
Material	Aluminum	
Colour	Infinity White	

Technical Specification

Specification	Standard	Premium
Physical		
Dimensions	L x W: 155mm x 75mm	
Weight	0.5kg	
Storage		
NAS	Yes	
SD Card	No	Yes(upto 512GB)
Software		
Zoom	Yes(digital)	
IVA Events	Motion, Temper, Trip Wire, Intrusion, Detection	Motion, Temper, Trip Wire, Intrusion & Audio Exception Detection
ONVIF Profile	S,G	
Environmental		
Operating Temp.	-30 °C to +60 °C	
Humidity	Less than 95% RH	

* Use BIS, CE, ROHS and FCC approved Adapters.

Disposal of Product after End-Of-Life

WEEE Directive 2002/96/EC

The product referred is covered by the waste Electrical and Electronic Equipment (WEEE) directive and must be disposed of in a responsible manner.

At the end of product life cycle; batteries, soldered boards, metal components and plastic components must be disposed through recyclers.

If you are unable to dispose-off the products or unable to locate e-waste recyclers, you may return the products to Matrix Return Material Authorization (RMA) department.



SECURITY SOLUTIONS

MATRIX COMSEC PVT. LTD.

Head Office

394-GIDC, Makarpura, Vadodara - 390010, India

Ph: (+91)1800-258-7747

Email: Support@MatrixComSec.com

www.matrixvideosurveillance.com