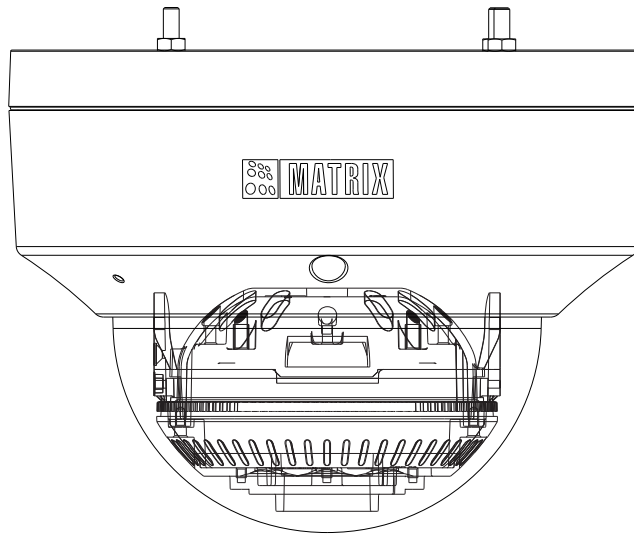


SATATYA Professional Dome IP-Camera

The Persistent Vision



Safety Instructions

These instructions are intended to ensure that the user can use the product correctly to avoid danger or property loss.

Cautions

- Ensure that the power supply voltage is correct before using the camera.
- Avoid placing cables too close to magnetic or high voltage devices, to reduce undesirable image noise.
- Do not touch sensor modules with fingers. For cleaning use 'clean cloth' and wipe it gently.
- Do not mount the camera with the lens facing the sun or bright light to prevent damage to the sensor.
- Do not expose the camera to temperatures below or beyond its operating temperature.
- Do not mount the camera near a radiator or a heater.

Warning

- In the use of the product, you must be in strict compliance with the electrical safety regulations of the region and nation.
- Do not connect several devices to one power adapter as it may cause over-heating or fire hazard.
- If smoke, odour or noise rise from the device, turn off the power at once and unplug the power cable, and contact the nearest service center.
- To prevent electrical shock, turn off power supply before making electrical connections.

Consignes de sécurité

Ces instructions ont pour but de garantir que l'utilisateur peut Utiliser le produit correctement pour éviter tout danger ou perte de propriété.

Précautions

- Vérifiez que la tension d'alimentation est correcte avant d'utiliser l'appareil photo.
- Évitez de placer des câbles trop près d'une tension magnétique ou élevée périphériques, pour réduire le bruit d'image indésirable.
- Ne touchez pas les modules de capteur avec les doigts. Pour le nettoyage, utilisez nettoyer chiffon et essuyez-le doucement.
- Ne montez pas l'appareil photo avec l'objectif dirigé vers le soleil ou vers lumière pour éviter d'endommager le capteur.
- N'exposez pas l'appareil photo à des températures inférieures ou supérieures à ses température de fonctionnement.
- Ne montez pas la caméra à proximité d'un radiateur ou d'un appareil de chauffage.

Attention

- Dans l'utilisation du produit, vous devez être en stricte conformité avec les réglementations de sécurité électrique de la région et de la nation.
- Ne connectez pas plusieurs périphériques à un seul adaptateur secteur, provoquer une surchauffe ou un risque d'incendie.
- Si de la fumée, des odeurs ou du bruit émanent de l'appareil, éteignez-le une fois, débranchez le câble d'alimentation et contactez le service d'assistance le plus proche centre.
- Pour éviter un choc électrique, éteignez l'alimentation avant de connections électriques.

Contents

Know your Camera	4
What your Package Contains	5
Things you will Need	5
Camera Variants	5
Installation	7
Installing Mounting Template	8
Mounting the Camera	10
Adjusting Camera Angle	12
Accessing Reset Switch and SD card slot	15
IP67 Protection Accessory Installation	16
Powering the Camera	19
Network Configuration	21
Accessing via Web Browser	22
Technical Specification	26

Please read this guide first for correct installation and retain it for future reference. The information in this guide is prevailing at the time of publication. However, Matrix Comsec reserves the right to make changes in product design and specifications without prior notice.

Copyright

All rights reserved. No part of this document may be copied or reproduced in any form or by any means without the prior written consent of Matrix Comsec.

Warranty

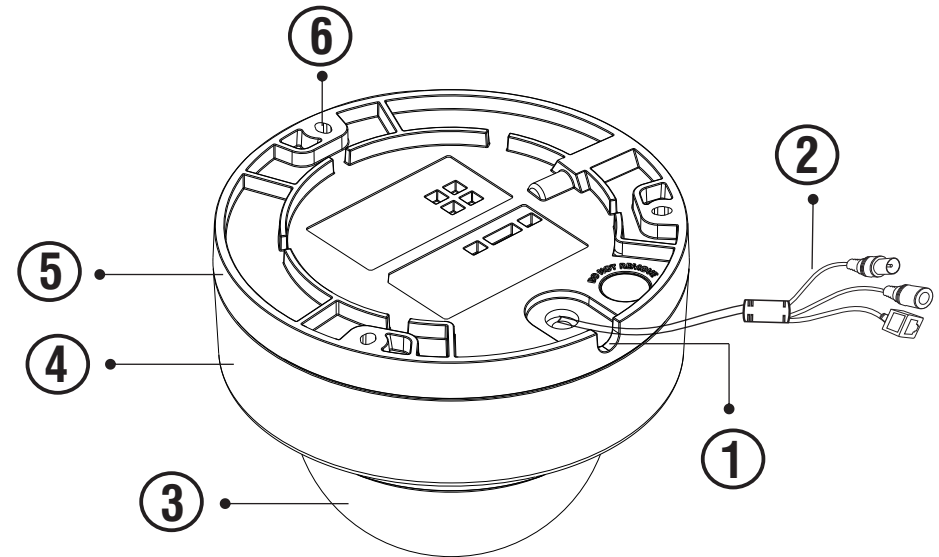
Limited Warranty. Valid only if primary protection is provided, mains supply is within limit and protected, and environment conditions maintained within product specifications.

Complete warranty statement is available on our website:

www.matrixvideosurveillance.com

Know your Camera

Figure 1



- | | |
|-------------------|----------------------|
| 1. Cable Guide | 4. Enclosure Top |
| 2. Cable Assembly | 5. Enclosure Bottom |
| 3. Top Glass | 6. Hole for Mounting |

The **Standard** variant consists of 2 connectors: Power Connector and Ethernet Connector (POE).

The **Premium** variant consist of 3 connectors: Power Connector, Ethernet Connector (POE) and Audio OUT.

What your Package Contains


- SATATYA Dome IP Camera Unit
- Wall Mounting Template
- Wall Mounting Screws with Screw Grip (3 nos.)
- Cable Accessories

Things you will Need

- A Power Drill, Screwdriver Set, Allen Key number 2.5, Pliers, Wire-cutter, Ladder.
- Necessary Cabling
- A Power Supply with the recommended output voltage of 12V DC. Use a Adapter to connect the camera to the power outlet.

Camera Variants

The SATATYA Dome Cameras are available in two variants; **Standard** and **Premium**. Both the variants are available in 8MP with 2.8mm, 3.6mm and 6mm fixed focal length.

 You can capture near and broader view with lens of 2.8mm and 3.6mm focal length. For example it can be used in ATM and Elevators.

With lens of 6mm focal length, far and narrow view can be captured. For example it can be used in corridors or long passage to capture long view.

The 8MP Camera variants are listed in below table:

Type of Lens	Focal Length	Standard	Premium
Fixed	2.8mm	MIDR80FL28CWS	MIDR80FL28CWP
Fixed	3.6mm	MIDR80FL36CWS	MIDR80FL36CWP
Fixed	6mm	MIDR80FL60CWS	MIDR80FL60CWP

Installation Instruction

1. This product is intended to be supplied by a UL listed power supply unit marked “Class 2” or “LPS” or “PS2” and rated 12VDC, 2A min.
2. The wired LAN hub providing Power over the Ethernet (PoE) in accordance with IEEE 802-3af shall be a UL listed device with the output evaluated as a limited power source as defined in UL60950-1 or Ps2 as defined in UL62368-1.

Installation

Before you start

Please make sure,

- The device in the package is in good condition and all the assembly parts are included.
- All the related equipments are powered-off before installation.
- The Wall or Ceiling is strong enough to support the weight of camera.

Step 1: Select a Location

Select a suitable location for your camera to enable coverage of the intended surveillance area. The location should preferably be a flat surface, such as a Wall or a Ceiling.

Step 2: Prepare for Installation

- The camera can be powered-up by an adapter or PoE switch. In case, the camera is to be powered up by adapter, a 5A plug is needed nearby.
- Provide proper connectivity between camera and recording location through LAN cable.
- It is advisable to make concealed wiring. However, wiring can also be done externally.

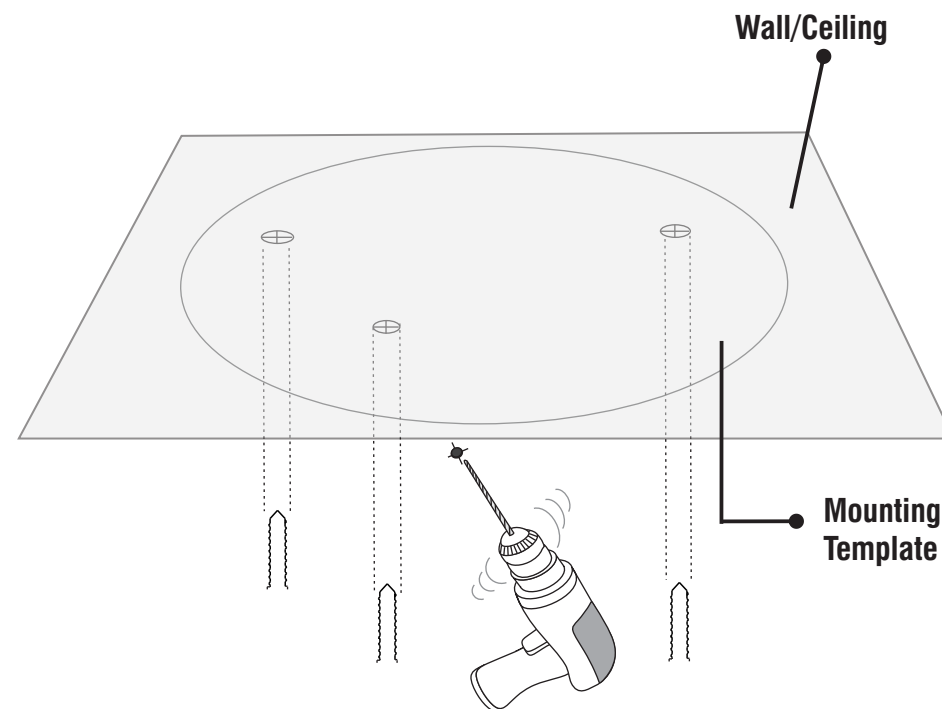
You can insert SD card in camera to store recordings during network failover and to upload image or clip as a result of event trigger.

See page 15 to know how to open the camera and insert the SD card.

Step 3: Installing Mounting Template

- Stick the Mounting Template at the exact location of camera installation. The location can be ceiling or wall.
- Drill three holes through the markings provided on the Mounting Template on wall or ceiling.
- Insert the screw grips in the holes you drilled, see **Figure 2**.
- In case of concealed wiring, a separate hole has to be drilled in the center for cable outlet.

Figure 2



Step 4 Taking off the cable

For External Cabling:

- Pull the cable out through the cable guide, sideways to the camera, see **Figure 3a**.

For Concealed Cabling:

- Insert the main-cabling of the center hole and make proper connection with LAN Cable, see **Figure 3b**.

Figure 3a

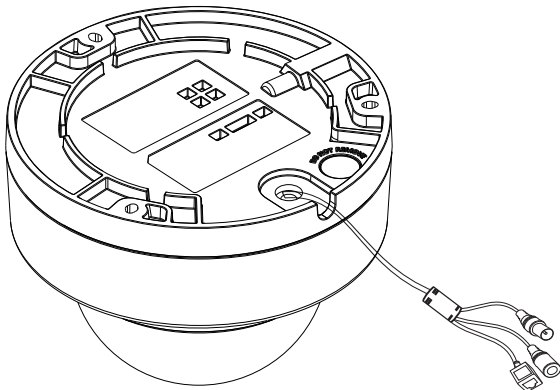
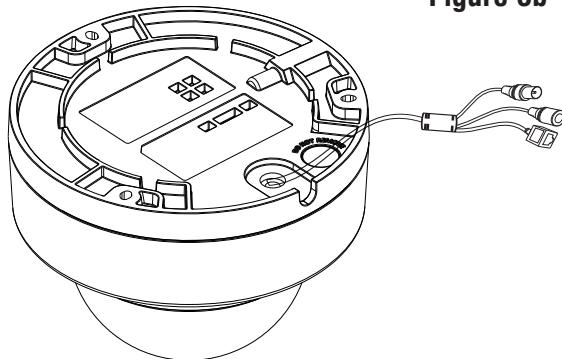


Figure 3b



Step 5: Mounting the Camera

- Use Allen Key number 2.5 to open the camera

- Take off the enclosure top by removing 3 screws using Allen Key, see **Figure 4**.
- Remove the Gasket, see **Figure 4**.
- Attach the bottom of the enclosure with the three screw provided along with the camera, see **Figure 5**.

Figure 4

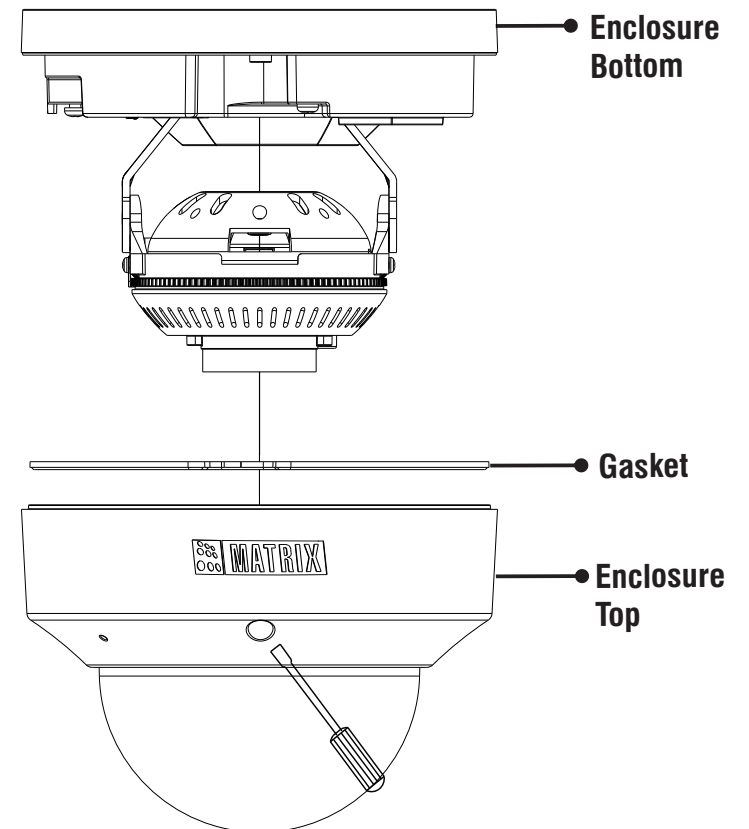


Figure 5

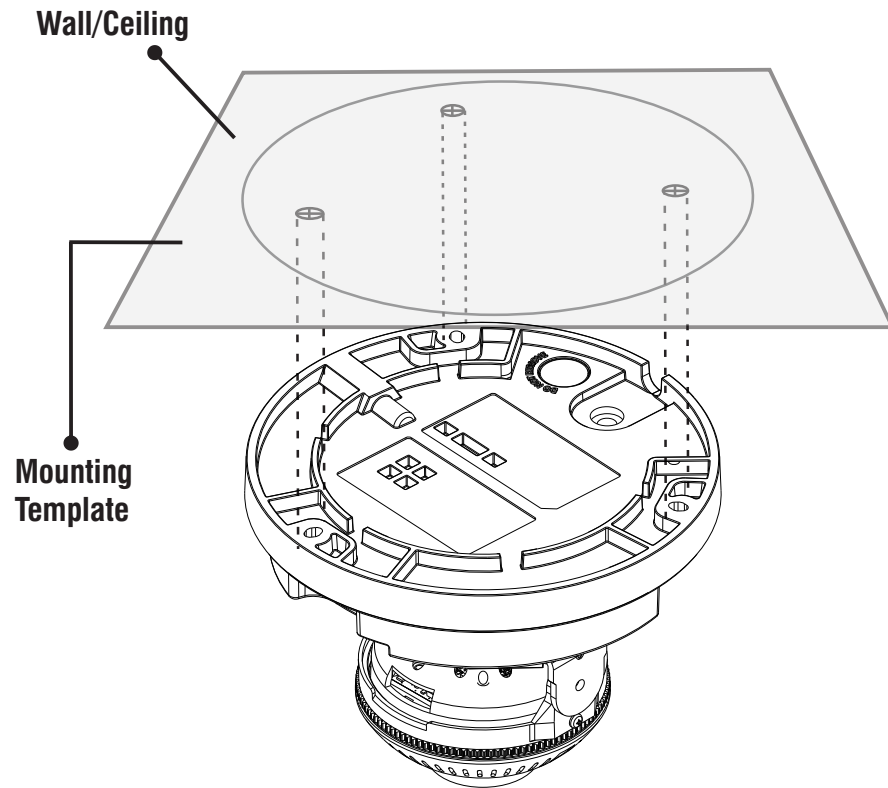


Figure 6

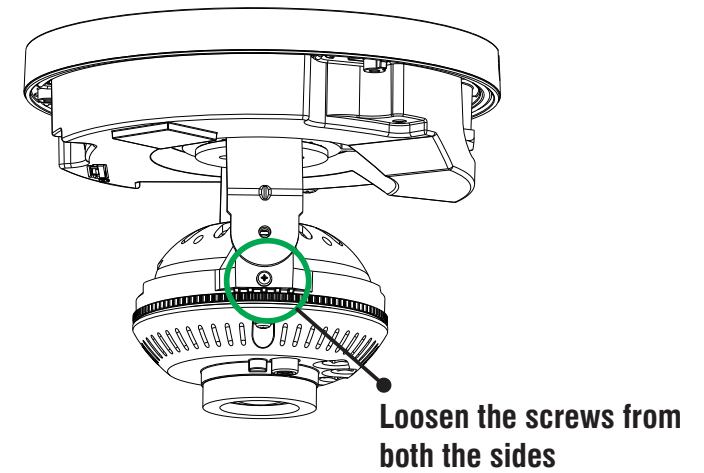
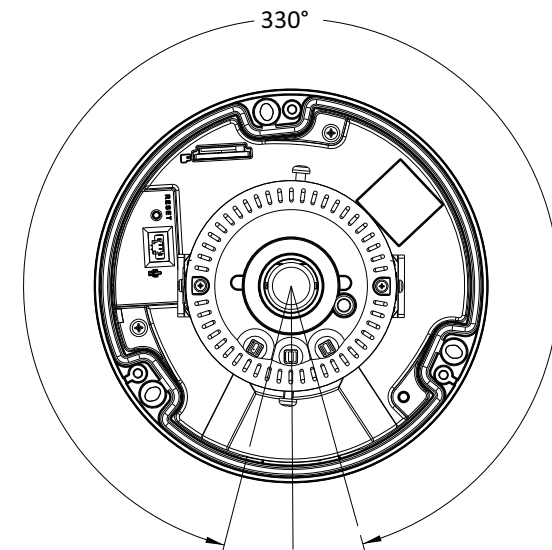


Figure 7



Step 6: Adjusting Camera Angle

Loosen the screws on both sides of lens to adjust the camera angle, see **Figure 6**.

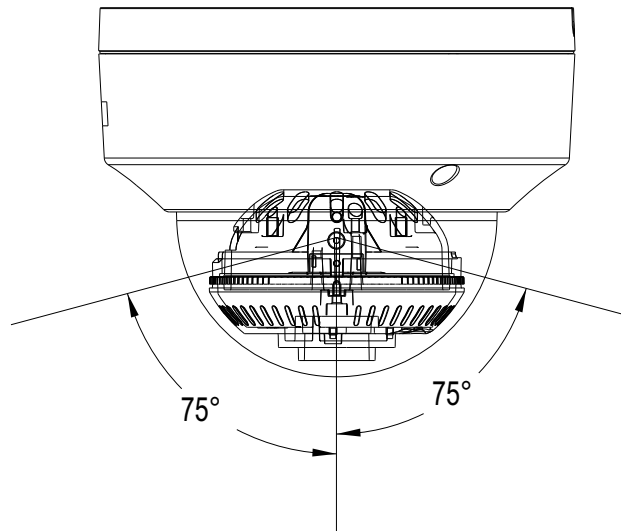
A. PAN Movement

For **PAN movement** you can move the camera to 330°, see **Figure 7**.

B. Tilt Movement

- For **Tilt movement**, move the camera from 0° to maximum 75° , see **Figure 8**.
- If the horizontal view is not aligned i.e. the view is tilted, then you can adjust the view by loosening the screw and adjusting the lens accordingly, see **Figure 6**.

Figure 8



Step 7: Place the Gasket and Top Cover

- After installing the camera at the desired location and position, place the Gasket at the enclosure bottom.
- Finally align the enclosure top and fix it with the 3 screws, see **Figure 9**.
- The installed camera is shown in **Figure 10**.

Figure 9

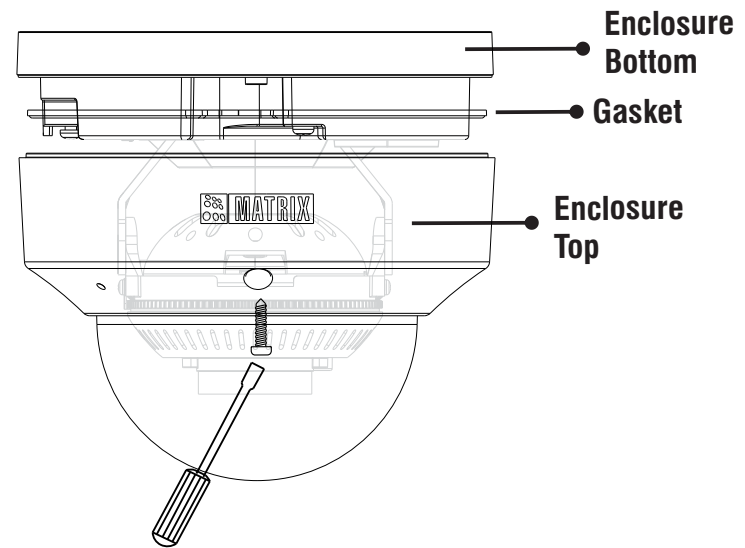
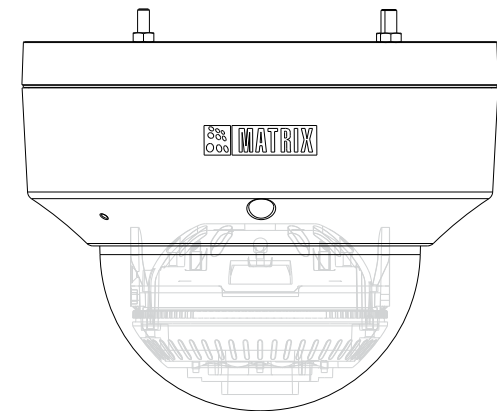


Figure 10

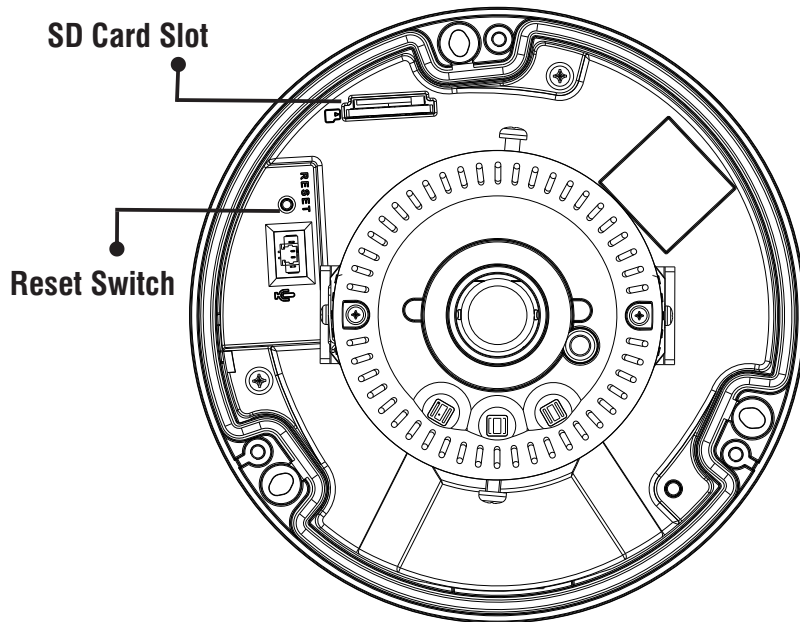


Accessing Reset Switch & SD Card Slot*

If you forget the IP address or login credentials of camera then the camera can be reset to factory default settings using the reset switch.

- The Reset switch is located as shown in **Figure 11**. Press the Reset switch for minimum 5 sec and release the switch to reset the camera to default settings.
- You can insert the SD card in the slot to store your camera recordings, see **Figure 11**. If you insert the SD when the camera is running, make sure you reboot the camera.

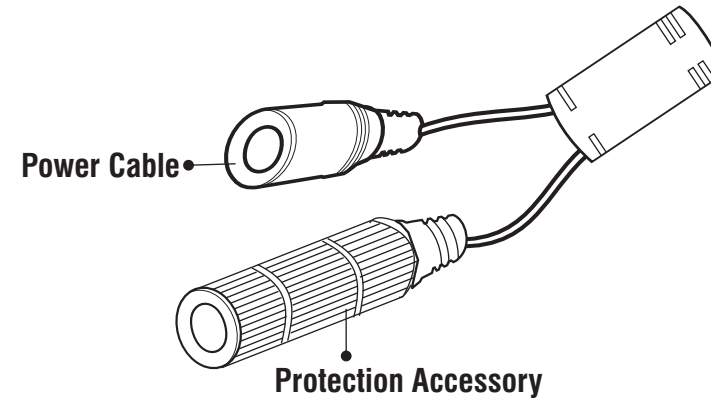
Figure 11



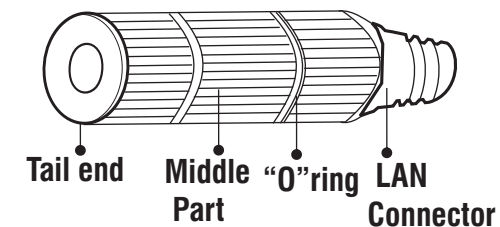
* SD Card Slot is available in Premium variants only.

IP67 Protection Accessory Installation

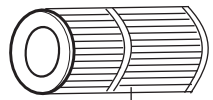
1. By default your camera contains the LAN connector fitted by IP67 protection accessory.



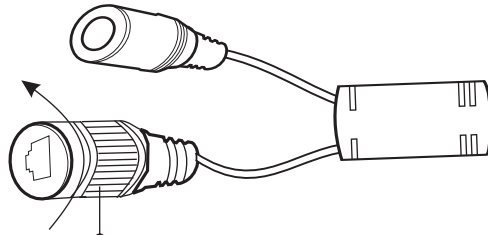
2. The IP67 protection assembly consist of tail end, middle part, "O" ring and LAN connector as shown below.




3. Rotate the middle part of IP67 assembly in anticlockwise direction to detach the IP67 accessory from the LAN connector.



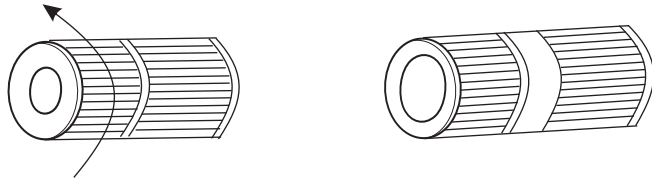
IP67 Accessory



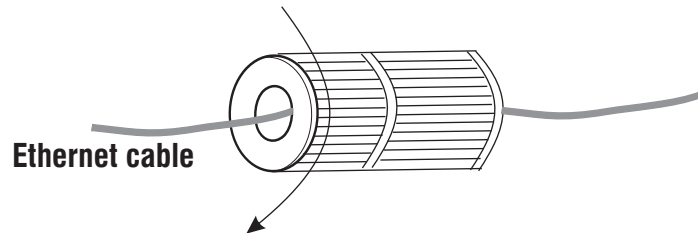
LAN Connector

 Do not remove the “O” ring from its place.

4. Loosen the tail end of the IP67 accessory by rotating it in anticlockwise direction.

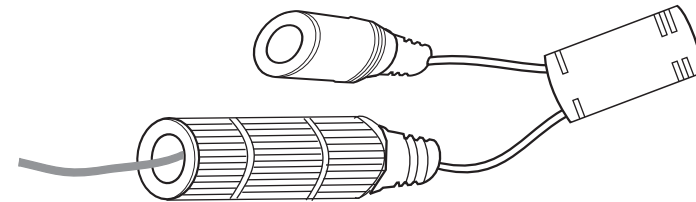
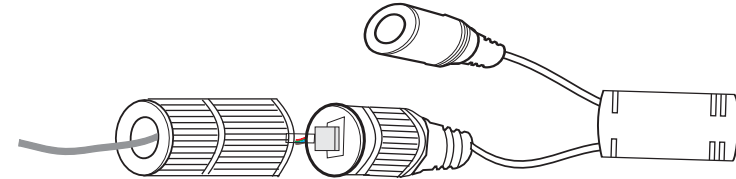


5. Insert the ethernet cable from behind. Then tighten the “tail end” by rotating in clockwise direction to its maximum and crimp the RJ45 connector.




Ethernet cable

6. Insert male RJ45 connector into female connector part. Then tighten the middle part by rotating in clockwise direction.



Powering the Camera

LED: CLASS1 (Category RS1)

 Never look at the transmit laser while the power is on. Never look directly at the fiber ports and the fiber cable ends when they are powered on.

Use of controls or adjustment to the performance or procedure other than those specified herein may result in hazardous laser emission.

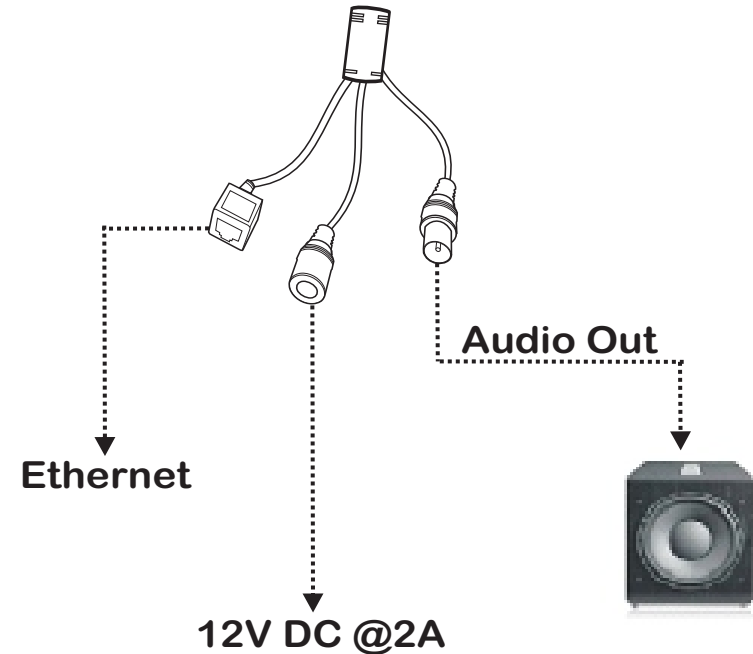
- Connect the **Ethernet** cable to LAN port and **Power** cable to the 12V DC power supply.


Power over Ethernet (PoE)

The IP camera is PoE- compliant, allowing transmission of power and data via a single Ethernet cable connected to PoE switch.

In Premium variants, connect Audio OUT cable if required.

1. **Audio Output** device such as earphone or speaker to the Audio Output cable of the camera can be connected. This will generate audio received from the network.



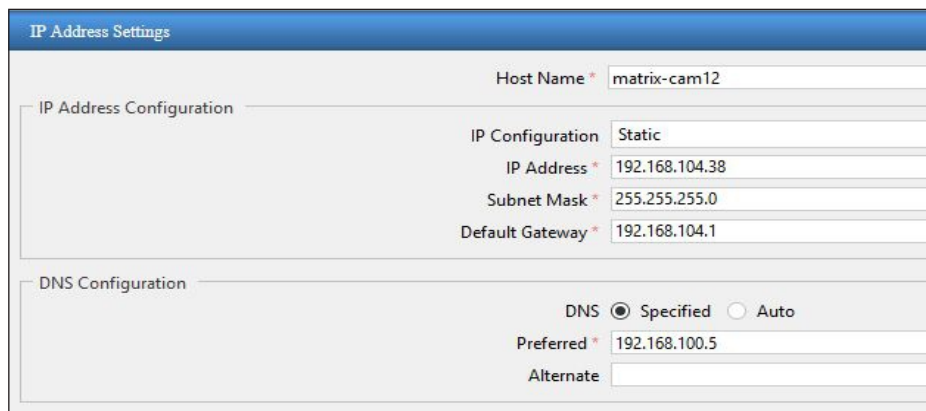
 If device such as Speaker can be connected to Audio OUT, you may need to connect an external power source if their power requirements are not fulfilled with the camera adapter.

Network Configuration

To view and configure the camera via LAN (Local Area Network), you need to connect the network camera in the same subnet with your PC. Then install the software to configure the IP address.

Steps to get the IP address,

- Once the camera is connected to the network, it will automatically be assigned a dynamic IP address by the DHCP server. You can view the assigned IP address through any IP scanner utility.
- If DHCP server is unavailable or is not able to provide an IP address then **192.168.1.126** will be set as default IP address.
- You can change the IP address and subnet mask of Camera from the Basic Settings page of camera.



The screenshot shows the 'IP Address Settings' web interface. It has a blue header with the title 'IP Address Settings'. Below the header, there are several input fields and sections:

- Host Name ***: matrix-cam12
- IP Address Configuration** section:
 - IP Configuration**: Static
 - IP Address ***: 192.168.104.38
 - Subnet Mask ***: 255.255.255.0
 - Default Gateway ***: 192.168.104.1
- DNS Configuration** section:
 - DNS**: Specified Auto
 - Preferred ***: 192.168.100.5
 - Alternate**: (empty field)

Accessing via Web Browser

The IP cameras are supported by Microsoft Windows Operating System.

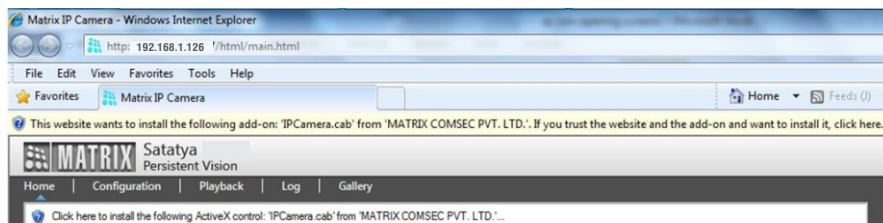
- ! In Internet Explorer you can access the camera with Matrix ActiveX plugin. In other browsers you need to install Quicktime or VLC plugin.

Steps,

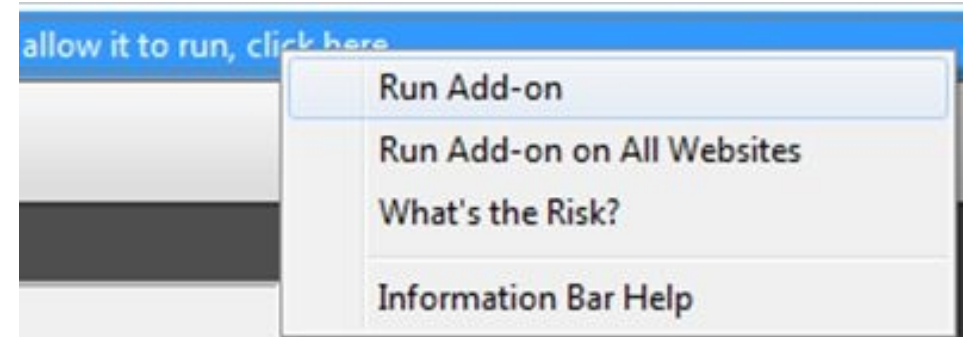
- Run the web browser as administrator.
- In the browser address bar, type the IP address of the camera e.g., 192.168.1.126 and press the Enter key to open the login interface.



- Enter the User Name and Password.
- By default, you can login with User Name as **admin**, **operator** or **viewer** with the password as **admin**, **operator** and **viewer** respectively.
- Click on Login.



- The browser will ask you to install ActiveX control.
- Click on Run Add-on to install the plugin.



- The ActiveX control will get installed on your PC.
- Now you can **Run** the plugin.



- Install the Camera software by clicking on **Install**.



- The home page of the camera will open and the live view will be displayed.



- The camera configuration can be set from Configuration tab.

Technical Specification

Specification	Standard	Premium
Power Supply		
Adapter	12V DC	
PoE	Yes (802.3af, Class 2)	
Power Consumption	12VDC 0.54A; Max: 6.5W PoE (36V to 57V)(0.22A to 0.14A); Max: 8W	
Connectors		
Ethernet	Yes	
WiFi	No	
Audio IN	No	In-Built Microphone
Audio Out	No	Yes
Casting		
Material	Aluminium	
Colour	Infinity White	
Physical		
Dimensions	Diameter x Height: 126mm x 100mm	
Weight	0.74kg	

* Use BIS, CE, ROHS and FCC approved Adapters.

Technical Specification

Specification	Standard	Premium
Storage		
NAS	Yes	
SD Card	No	Yes (upto 512GB)
Software		
IVA Events	Motion Detection, View Tamper, Trip Wire, Zone Intrusion, IP-Conflict	Motion Detection, View Tamper, Trip Wire, Zone Intrusion, Audio Exception, IP-Conflict
ONVIF Profile	S, G	
Environmental		
Operating Temp.	-30 °C to +60 °C	
Humidity	Less than 95% RH	

Disposal of Product after End-Of-Life

WEEE Directive 2002/96/EC

The product referred is covered by the waste Electrical and Electronic Equipment (WEEE) directive and must be disposed of in a responsible manner.

At the end of product life cycle; batteries, soldered boards, metal components and plastic components must be disposed through recyclers.

If you are unable to dispose-off the products or unable to locate e-waste recyclers, you may return the products to Matrix Return Material Authorization (RMA) department.



SECURITY SOLUTIONS

MATRIX COMSEC PVT. LTD.

Head Office

394-GIDC, Makarpura, Vadodara - 390010, India

Ph: (+91)1800-258-7747

Email: Support@MatrixComSec.com

www.matrixvideosurveillance.com