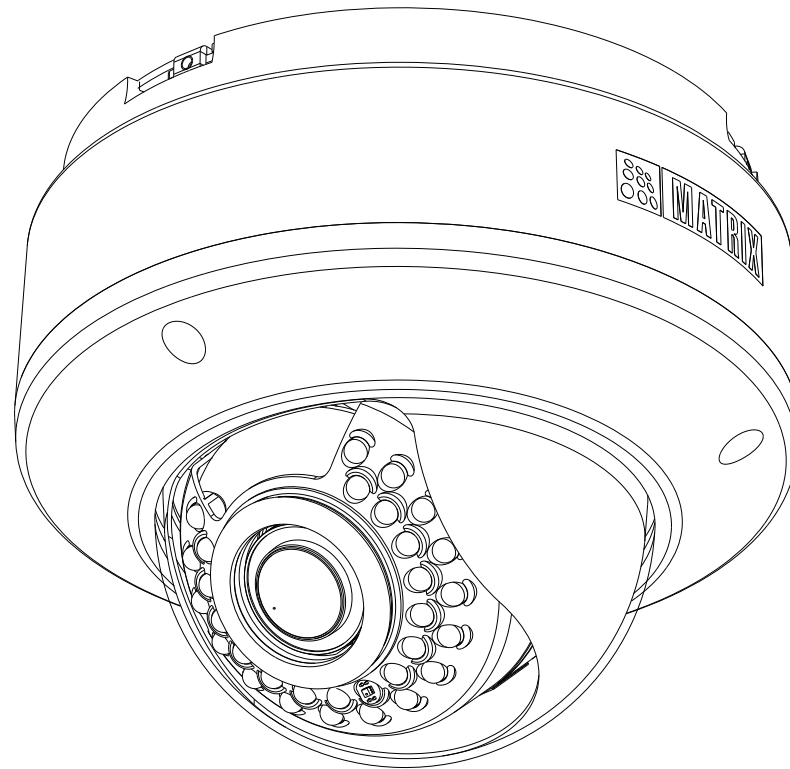


SATATYA Project Dome IP-Camera

The Persistent Vision



Safety Instructions

These instructions are intended to ensure that the user can use the product correctly to avoid danger or property loss.

Cautions

- Ensure that the power supply voltage is correct before using the camera.
- Avoid placing cables too close to magnetic or high voltage devices, to reduce undesirable image noise.
- Do not touch sensor modules with fingers. For cleaning use 'clean cloth' and wipe it gently.
- Do not mount the camera with the lens facing the sun or bright light to prevent damage to the sensor.
- Do not expose the camera to temperatures below or beyond its operating temperature.
- Do not mount the camera near a radiator or a heater.

Warning

- In the use of the product, you must be in strict compliance with the electrical safety regulations of the region and nation.
- Do not connect several devices to one power adapter as it may cause over-heating or fire hazard.
- If smoke, odour or noise rise from the device, turn off the power at once and unplug the power cable, and contact the nearest service center.
- To prevent electrical shock, turn off power supply before making electrical connections.

Consignes de sécurité

Ces instructions ont pour but de garantir que l'utilisateur peut Utilisez le produit correctement pour éviter tout danger ou perte de propriété.

Précautions

- Vérifiez que la tension d'alimentation est correcte avant d'utiliser l'appareil photo.
- Évitez de placer des câbles trop près d'une tension magnétique ou élevée périphériques, pour réduire le bruit d'image indésirable.
- Ne touchez pas les modules de capteur avec les doigts. Pour le nettoyage, utilisez nettoyer chiffon et essuyez-le doucement.
- Ne montez pas l'appareil photo avec l'objectif dirigé vers le soleil ou vers lumière pour éviter d'endommager le capteur.
- N'exposez pas l'appareil photo à des températures inférieures ou supérieures à ses température de fonctionnement.
- Ne montez pas la caméra à proximité d'un radiateur ou d'un appareil de chauffage.

Attention

- Dans l'utilisation du produit, vous devez être en stricte conformité avec les réglementations de sécurité électrique de la région et de la nation.
- Ne connectez pas plusieurs périphériques à un seul adaptateur secteur, provoquer une surchauffe ou un risque d'incendie.
- Si de la fumée, des odeurs ou du bruit émanent de l'appareil, éteignez-le une fois, débranchez le câble d'alimentation et contactez le service d'assistance le plus proche centre.
- Pour éviter un choc électrique, éteignez l'alimentation avant de connections électriques.

Contents

Know your Camera	4
What your Package Contains	5
Things you will Need	5
Camera Variants	5
Installation	8
Installing Mounting Template	9
Mounting the Camera on Wall/Ceiling	10
Mounting the Camera on False Ceiling	11
IP66 Protection Accessory Installation	14
Adjusting the Camera Angle	17
PAN, Tilt Movement	18
Powering the Camera	20
Accessing Reset Pin and SD card slot	22
Adjusting Focus and Zoom in Varifocal Cameras	23
Network Configuration	24
Accessing via Web Browser	25
Technical Specification	29

Please read this guide first for correct installation and retain it for future reference. The information in this guide is prevailing at the time of publication. However, Matrix Comsec reserves the right to make changes in product design and specifications without prior notice.

Copyright

All rights reserved. No part of this document may be copied or reproduced in any form or by any means without the prior written consent of Matrix Comsec.

Warranty

Limited Warranty. Valid only if primary protection is provided, mains supply is within limit and protected, and environment conditions maintained within product specifications. Complete warranty statement is available on our website:

www.matrixvideosurveillance.com

Know your Camera

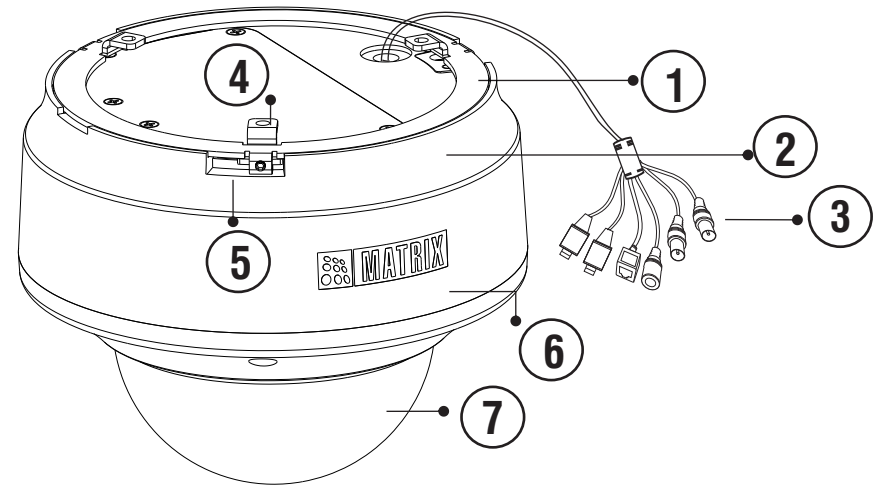


Figure1

- | | |
|----------------------|--|
| 1. Mounting Ring | 5. Base Plate groove for fitting Mounting Ring |
| 2. Base Plate | |
| 3. Cable Assembly | 6. Camera Body |
| 4. Hole for Mounting | 7. Lens Enclosure |

The **Standard** variant consists of 2 connectors: Power Connector and Ethernet Connector (POE).

The **Premium** variant consist of 6 connectors: Power Connector, Ethernet Connector (POE), Audio IN, Audio OUT, Alarm IN and Alarm OUT.

What your Package Contains

- SATATYA Dome IP Camera Unit
- Wall Mounting Template
- Wall Mounting Screws with Screw Grip (3 nos.)
- Allen Key
- Cable Accessories to compliant for IP66
- Ceiling Support Plate
- Ceiling Support Plate Screws (M4x35 pan-PH)

Things you will Need

- A Power Drill, Screwdriver Set, Pliers, Wire-cutter, Ladder.
- Necessary Cabling
- A Power Supply with the recommended output voltage of 12V DC. Use an adapter to connect the camera to the power outlet.

Camera Variants

The Bullet Cameras are available in following variants:

- 1. Standard** Variant used for General Surveillance in Discipline/Safety Precaution.
- 2. Premium** Variant used for Objective Surveillance in Entry/Exit Monitoring, Periphery Monitoring, Productivity Monitoring, Unethical Practices Monitoring.



You can capture near and broader view with lens of 2.8mm and 4.0 mm focal length. For example it can be used in ATM and Elevators.

With lens of 6 mm focal length, far and narrow view can be captured. For example it can be used in corridors or long passage to capture long view.

The 5MP Camera variants are listed in below table,

Type of Lens	Focal Length	Standard	Premium
Fixed	2.8mm	CIDR50FL28CWS	CIDR50FL28CWP
Fixed	4.0mm	CIDR50FL40CWS	CIDR50FL40CWP
Fixed	6.0mm	CIDR50FL60CWS	CIDR50FL60CWP
Manual Varifocal	2.8-12 mm	CIDR50VL12CWS	NA
Motorized Varifocal	2.8-12 mm	NA	CIDR50MVL12CWP

Installation Instruction

1. This product is intended to be supplied by a UL listed power supply unit marked “Class 2” or “LPS” or “PS2” and rated 12VDC, 2A min.

2. The wired LAN hub providing Power over the Ethernet (PoE) in accordance with IEEE 802-3af shall be a UL listed device with the output evaluated as a limited power source as defined in UL60950-1 or Ps2 as defined in UL62368-1.

Installation

Before you start:

Please make sure,

- The device in the package is in good condition and all the assembly parts are included.
- All the related equipments are powered-off before installation.
- The wall or ceiling is strong enough to support the weight of camera.

Step 1: Select a Location

Select a suitable location for your camera to enable coverage of the intended surveillance area. The location should preferably be a flat surface, such as a wall or a ceiling.

You can install the camera where cables are running through the interior of the wall or ceiling. Else cabling has to be done through POE.

Step 2: Prepare for Installation

Ensure that the necessary cabling to connect the camera to LAN port and Power outlet are in place. The connecting cables from the monitoring site should be ready at the installation site.

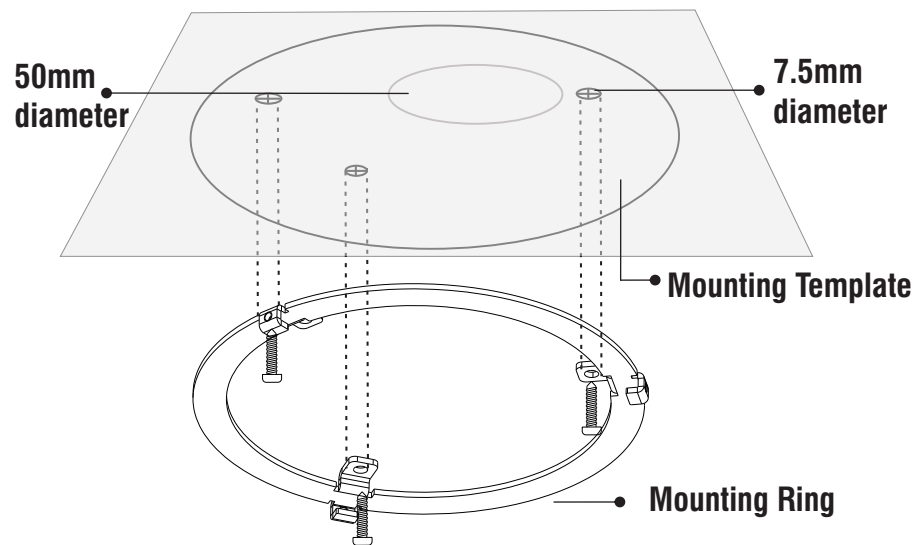
You can insert SD card in camera to store recordings during network failover and to upload image or clip as a result of event trigger.

See page **22** to view the SD card slot in camera.

Step 3: Installing Mounting Template

- Stick the Mounting Template on the desired installation surface.
- Drill three 7.5mm diameter holes through the markings of the Mounting Template on Wall or Ceiling. (Drill 50mm diameter hole also if installing on false ceiling)
- Insert the screw grips in the holes you drilled.

Figure 2



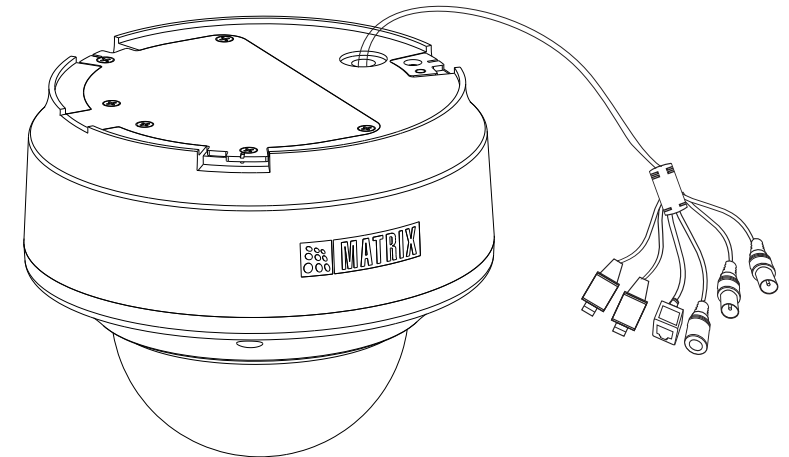
- Align the screw holes on the base plate with those you drilled on the installation surface.

Step 4: Mounting the Camera

A. On Wall/Ceiling

- To avoid cable damage, take the Power, Ethernet, Audio IN, Audio OUT, Alarm IN, Alarm OUT cables of the camera through the cable hole on the base plate, see **Figure 3**.
- If the cabling is concealed, prior to the installation pull the cable off the hole drilled on the installation surface.

Figure 3



- Now secure the base plate of the camera to the mounting ring. Interlock the mounting ring slit to the groove on the base plate, see **Figure 4**.
- Turn the camera body clockwise to fit in the slit of mounting ring.
- Finally fit the base plate with three M3x4 Grub screws, see **Figure 5**.

Figure 4

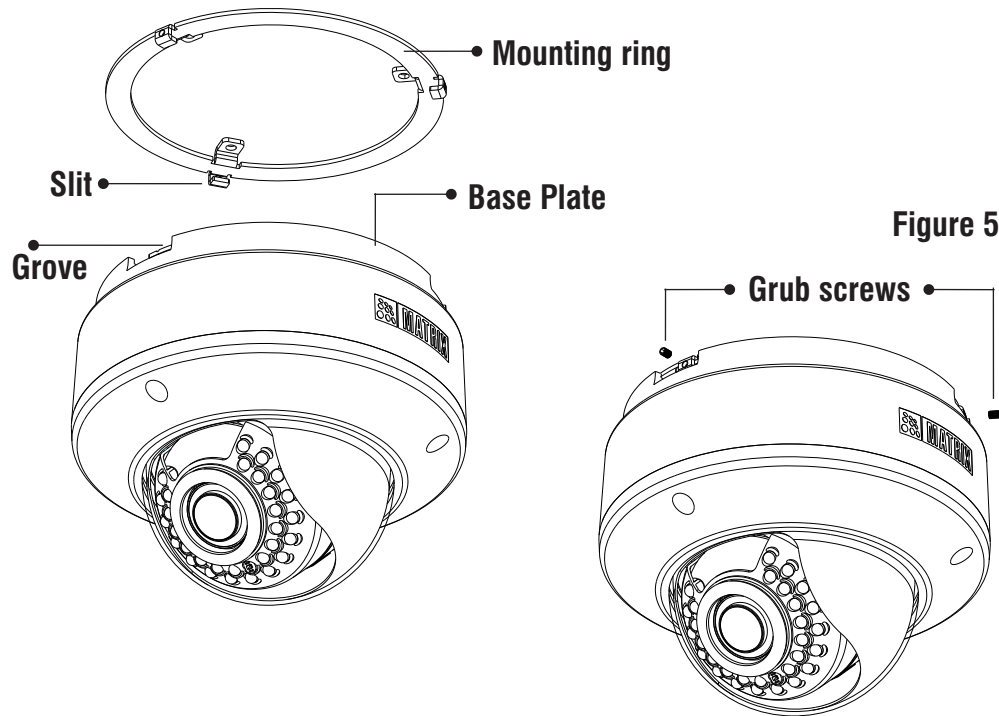
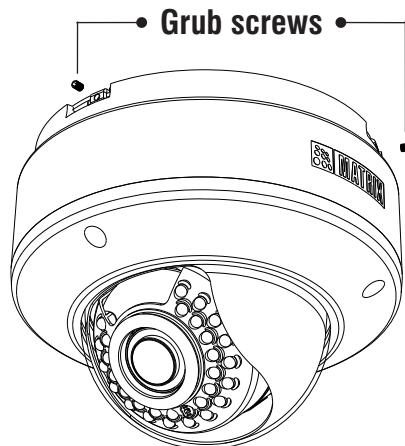


Figure 5



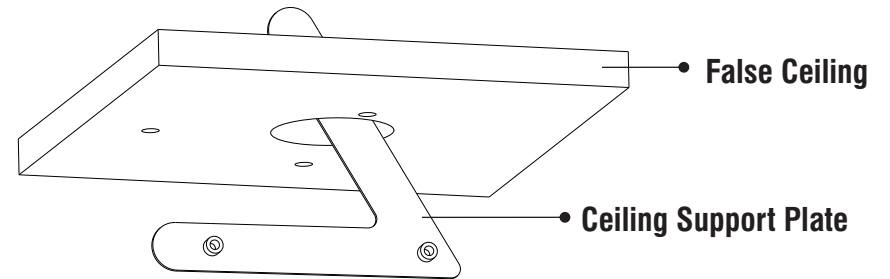
B. On False Ceiling (Recommended Method)

For installing Dome Camera on false ceiling follow the below mentioned steps,

- Install the mounting template on the false ceiling.
- Drill the holes through the markings of the mounting template on the false ceiling.
- By this you will get one 50mm diameter and three 7.5mm diameter holes on the false ceiling.

- Insert the Ceiling Support Plate through the 50mm diameter hole as shown in **Figure 6**.

Figure 6



- Place the Ceiling support plate over the false ceiling with keeping the clinching nuts towards the holes on mounting template.
- Move Ceiling Support Plate manually as the holes on Ceiling Support Plate align with the holes (7.5mm) on mounting template as illustrated in **Figure 7**.

Figure 7

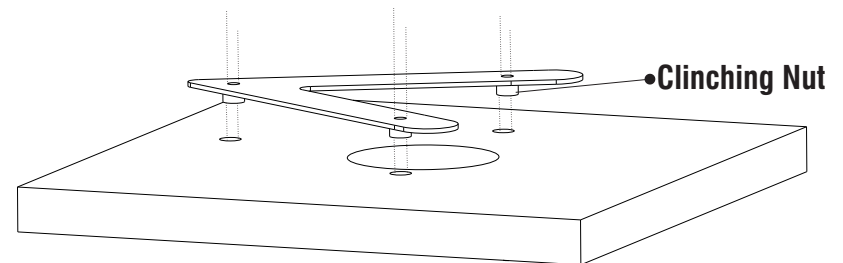


Figure 8

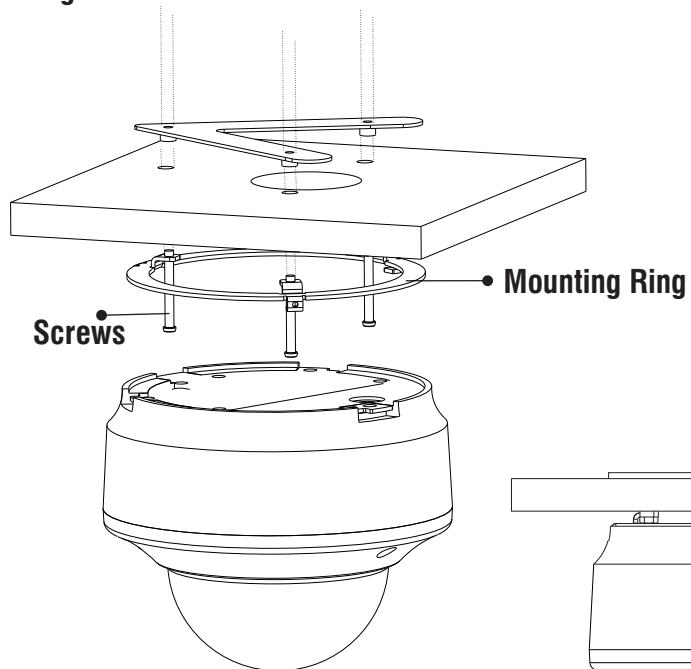
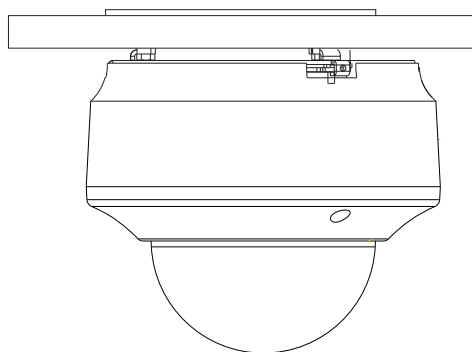


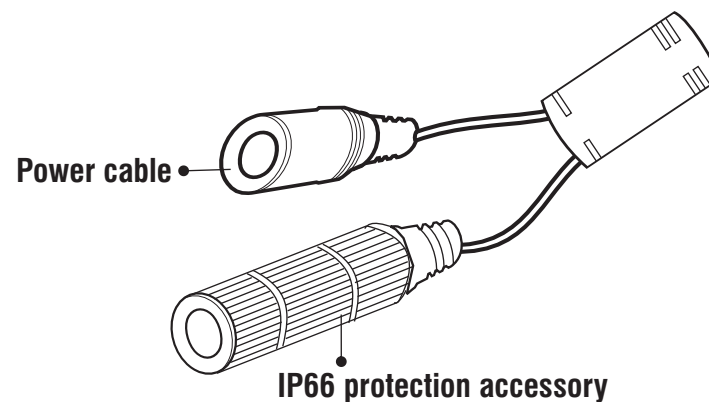
Figure 9



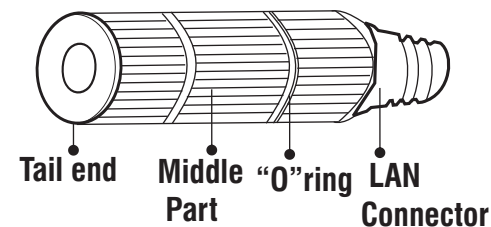
- Align the screw holes of the mounting ring with the holes (7.5mm) on mounting template and insert the screws through the false ceiling as illustrated in **Figure 8**.
- It is recommended to use M4 Pan-PH screws of length 35mm.
- Tighten the screws.
- Finally fix the Camera to the mounting ring as illustrated in **Figure 9**.

Step 3: IP66 Protection Accessory Installation

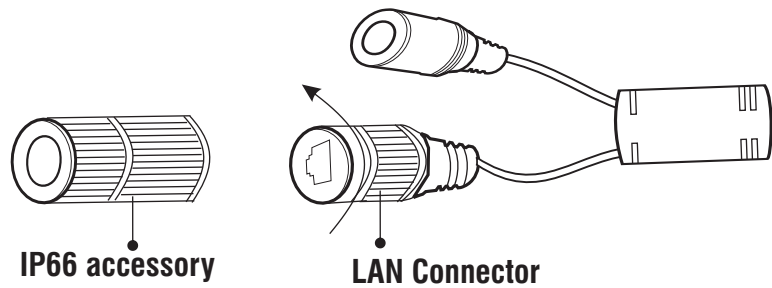
1. By default your camera contains the LAN connector fitted by IP66 protection accessory.



2. The IP66 protection assembly consist of tail end, middle part, "IO" ring and LAN connector as shown below.

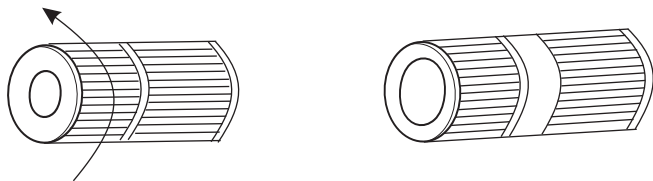


3. Rotate the middle part of IP66 assembly in anticlockwise direction to detach the IP66 accessory from the LAN connector.

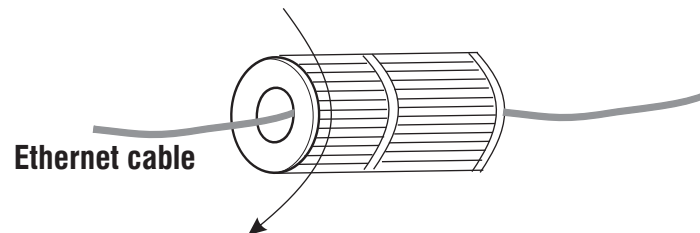


 Do not remove the “O” ring from its place.

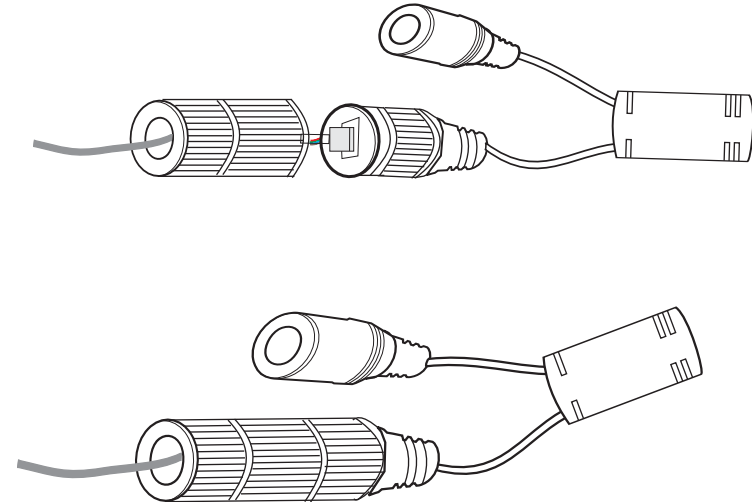
4. Loosen the tail end of the IP66 accessory by rotating it in anticlockwise direction.



5. Insert the ethernet cable from behind. Then tighten the “tail end” by rotating in clockwise direction to its maximum and crimp the RJ45 connector.



6. Insert male RJ45 connector into female connector part. Then tighten the middle part by rotating in clockwise direction.

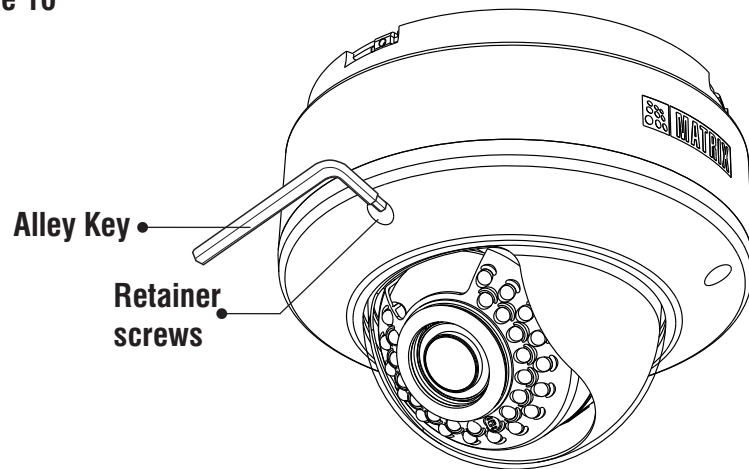


Adjusting Camera Angle


Step1: Opening Lens cover

- Use the Allen Key to loosen the Retainer screws on 3 sides of camera body.
- The retainer screws will still remain loosely connected.
- Open the lens casing body.
- Now you can adjust the camera angle.

Figure 10

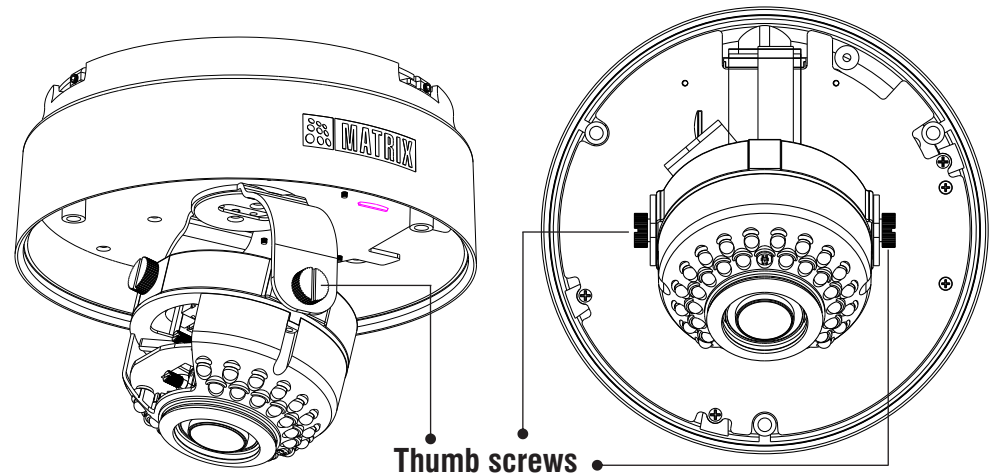


LED: CLASS1 (Category RS1)

 Never look at the transmit laser while the power is on. Never look directly at the fiber ports and the fiber cable ends when they are powered on.

Use of controls or adjustment to the performance or procedure other than those specified herein may result in hazardous laser emission.

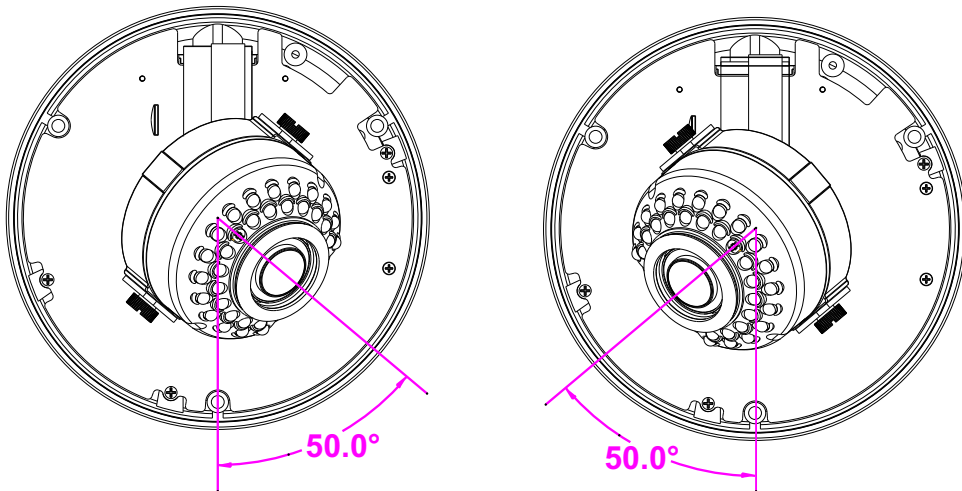
Figure 11



Step2: PAN, TILT movement

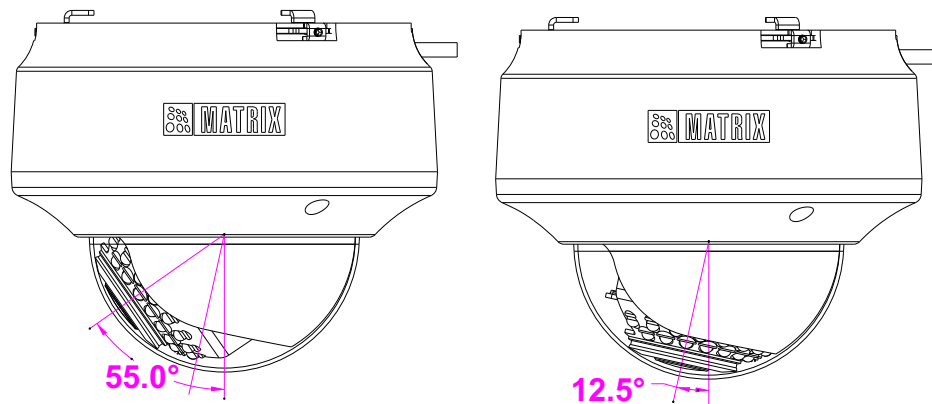
- Loosen thumb screws on both sides of lens for PAN movement, see **Figure 11**.
- For **PAN movement** you can move the camera to 100 degrees on one side, see **Figure 12**. To capture other side view, you have to open the camera body from the mounting ring, turn the body and mount to other side.

Figure 12



- For **Tilt movement** you can move the camera from 12.5 to maximum 55 degrees, see **Figure 13**.

Figure 13



- If the horizontal view is not aligned i.e. the view is tilted, then you can adjust the view by loosening the bottom thumb screw and adjusting the lens accordingly.

Powering the Camera

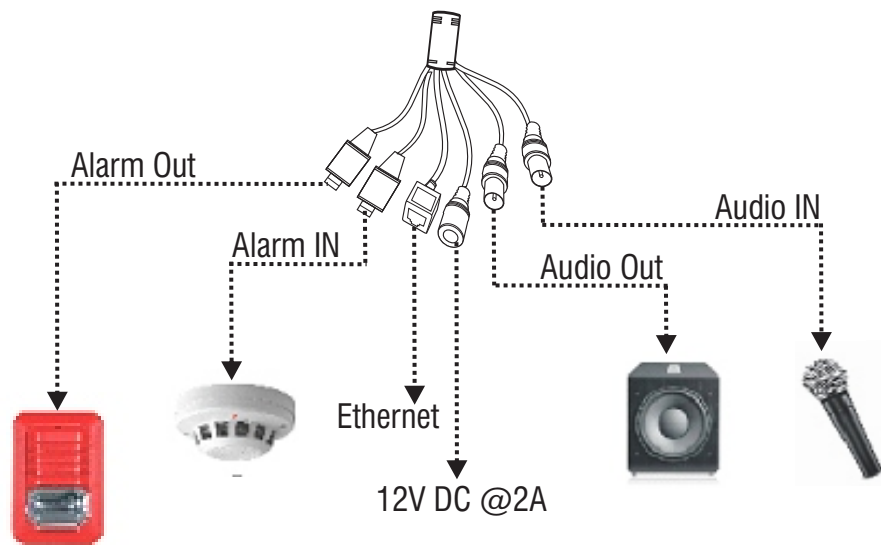
- Connect the **Ethernet** cable to LAN port and **Power** cable to the 12V DC power supply.

Power over Ethernet (PoE)

The IP camera is PoE- compliant, allowing transmission of power and data via a single Ethernet cable connected to PoE switch.

In Premium, Professional and Enterprise variants; connect Audio I/O and Alarm I/O cables if required.

1. You can connect the **Audio Input** device such as Mike to the Audio input cable of the camera. The audio when enabled will be recorded with the video and will be available at the monitoring location.
2. You may connect the **Audio Output** device such as earphone or speaker to the Audio Output cable of the camera. This will generate audio received from the network.
3. To detect alarm events you can connect a sensor device to the **Alarm IN** cable of the camera.
4. To get alerts on alarm you can connect the alarm sounding device such as hooter or siren to the **Alarm OUT** cable of the camera.



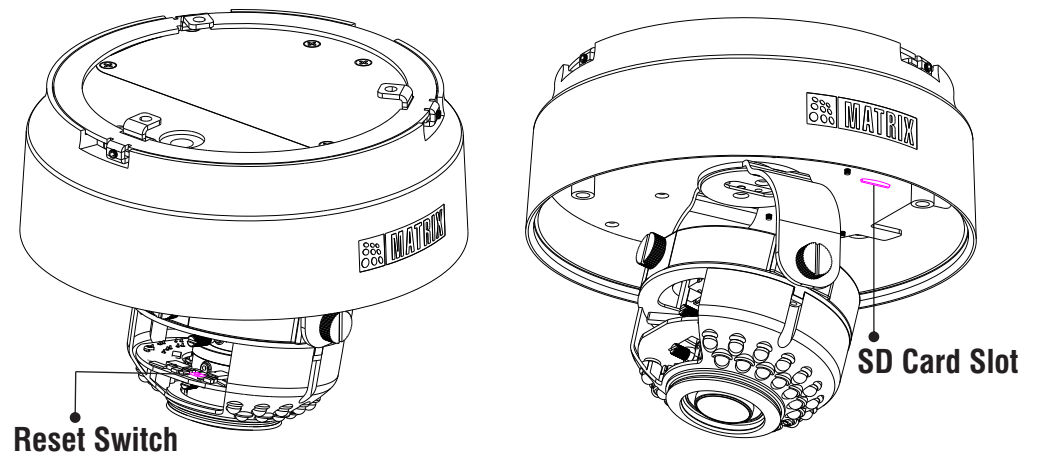
- 💡 If devices such as Mike and Speaker can be connected to Audio IN and Audio OUT, you may need to connect an external power source if their power requirements are not fulfilled with the camera adapter.
- 💡 If devices such as Sensor and small Buzzers can be connected to Alarm IN and Alarm OUT, you may need to connect an external power source if their power requirements are not fulfilled with the camera adapter.

Accessing Reset Switch and SD card slot

If you forget the IP address or login credentials of camera then the camera can be reset to factory default settings using the reset switch.

To access the Reset switch

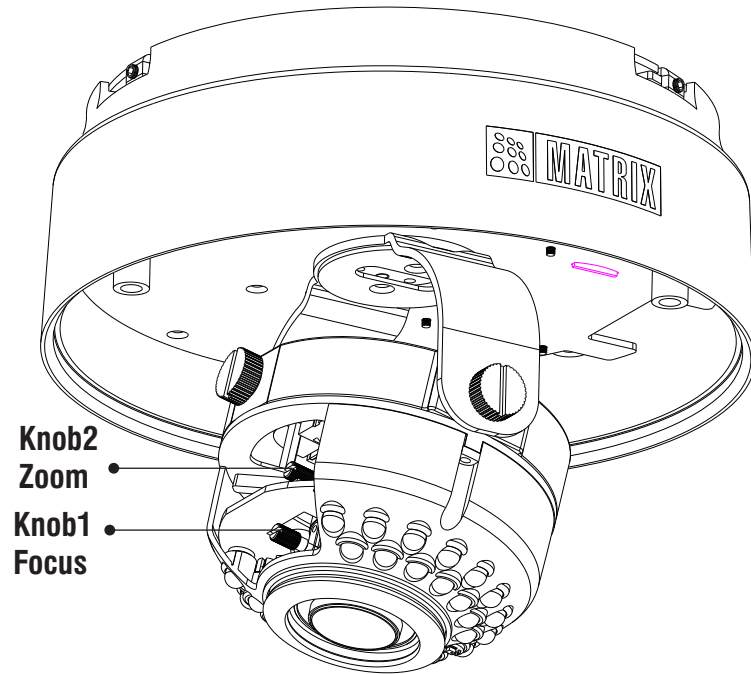
1. Open the retainer screws and remove the lens cover, see **Figure 10**.
2. The Reset switch is located near the lens, see **Figure 14**. Press the Reset switch for minimum 5 sec and release the switch to reset the camera to default settings.



3. You can insert the SD card in the slot to store your camera recordings, see **Figure 14**.

- ❗ After Reset or SD card insertion, you may need to set the camera focus and camera angle.

Adjusting Focus and Zoom in Varifocal Cameras



Knob2
Zoom
Knob1
Focus

Knob 1: Focus

Towards F
Far Focus ← → Towards N
Near Focus

Knob 2: Zoom

Towards W
Zoom Out ← → Towards T
Zoom IN

Network Configuration

To view and configure the camera via LAN (Local Area Network), you need to connect the network camera in the same subnet with your PC. Then install the software to configure the IP address.

Steps to get the IP address:

- Once the camera is connected to the network, it will automatically be assigned a dynamic IP address by the DHCP server. You can view the assigned IP address through any IP scanner utility.
- If DHCP server is unavailable or is not able to provide an IP address then **192.168.1.126** will be set as default IP address.
- You can change the IP address and subnet mask of Camera from the Basic Settings page of camera.

IP Address Settings	
Host Name *	matrix-cam12
IP Address Configuration	
IP Configuration	Static
IP Address *	192.168.104.38
Subnet Mask *	255.255.255.0
Default Gateway *	192.168.104.1
DNS Configuration	
DNS	<input checked="" type="radio"/> Specified <input type="radio"/> Auto
Preferred *	192.168.100.5
Alternate	

Accessing via Web Browser

The IP cameras are supported by Microsoft Windows Operating System.

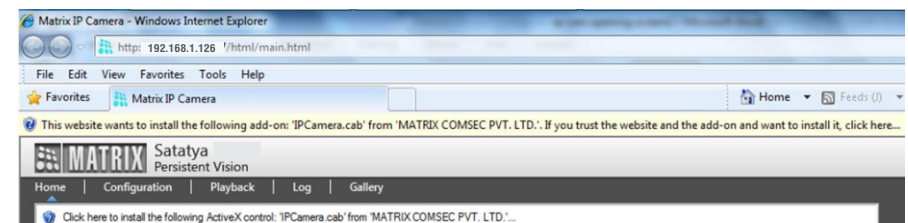
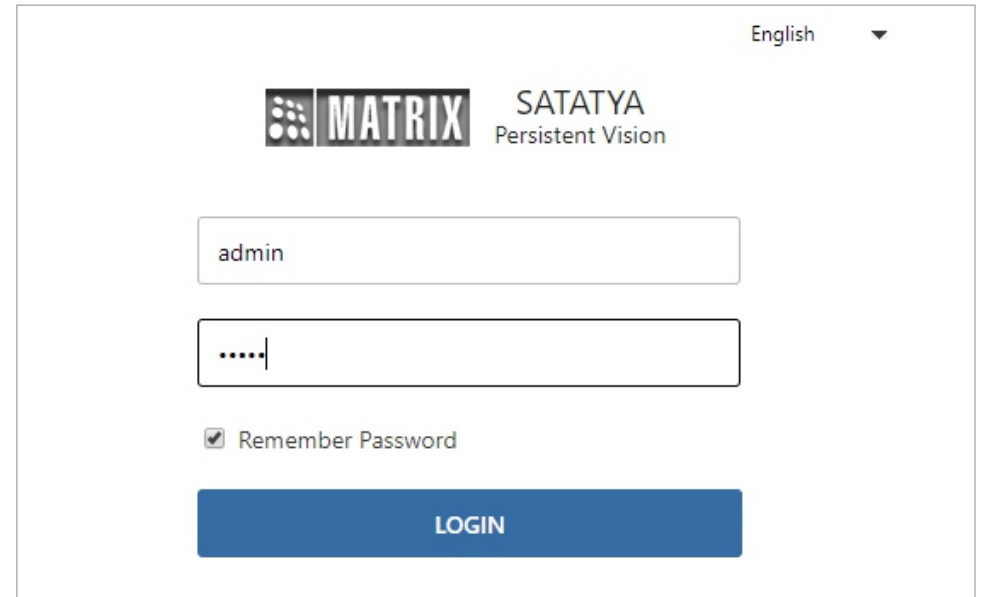
! In Internet Explorer you can access the camera with Matrix ActiveX plugin. In other browsers you need to install Quicktime or VLC plugin.

Steps:

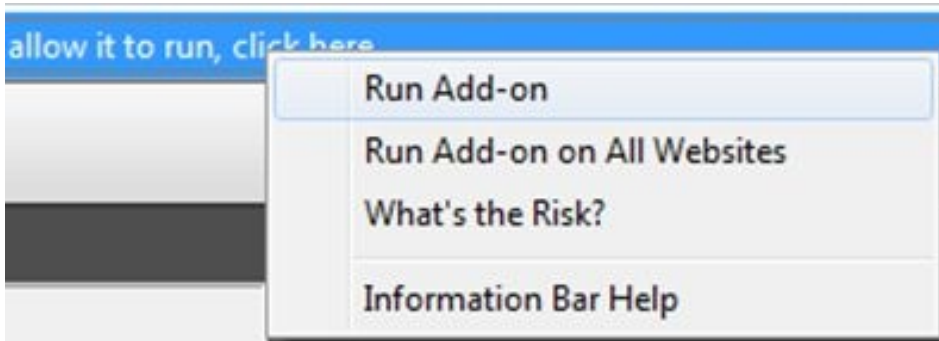
- Run the web browser as administrator.
- In the browser address bar, type the IP address of the camera e.g., 192.168.1.126 and press the Enter key to open the login interface.



- Enter the User Name and Password.
- By default, you can login with User Name as **admin**, **operator** or **viewer** with the password as **admin**, **operator** and **viewer** respectively.
- Click on Login.



- The browser will ask you to install ActiveX control.
- Click on Run Add-on to install the plugin.



- The ActiveX control will get installed on your PC.
- Now you can **Run** the plugin.



- Install the Camera software by clicking on **Install**.



- The home page of the camera will be opened and the live view will be displayed.



- The camera configuration can be set from Configuration tab.

Technical Specification

Specification	Standard	Premium
Power Supply		
User Adapter	12V DC	
PoE	Yes (802.3af, Class 3)	
Power Consumption	12VDC 0.7A; max: 8.5W PoE (36V to 57V)(0.3A to 0.2A); max: 10W	
Connectors		
Ethernet	Yes	
WiFi	No	
Audio IN	No	Yes
Audio Out	No	Yes
Alarm IN	No	Yes
Alarm Out	No	Yes
Casting		
Material	Aluminum	
Colour	White	
Physical		
Dimensions	158mm x 134mm	
Weight	1.4 kg	

* Use BIS, CE, ROHS and FCC approved Adapters.

Technical Specification

Specification	Standard	Premium
Storage		
NAS	Yes	
SD Card	Yes	
Software		
Auto Focus	No	Yes (Only for Motorized Varifocal)
Auto Zoom	No	Yes (Only for Motorized Varifocal)
IVA Events	Motion, Temper Detection, Trip Wire, Intrusion, Detection	Motion, Temper, Trip Wire, Intrusion, Loitering, Audio Exception Detection, Object Counting Missing/Suspicious Object
ONVIF Profile	S	S,G
Environmental		
Operating Temp.	-20 °C to +50 °C	
Humidity	5 to 95% RH	

* Missing Object, Suspicious Object, Object Counting and Loitering Detection events will work only in CIDR50MVL12CWP variants of Matrix IP Camera.

FCC Compliance

47CFR FCC PART 15B

Information to the user

(a) For a Class B digital device or peripheral, the instructions furnished the user shall include the following or similar statement, placed in a prominent location in the text of the manual:

NOTE: This equipment has been tested and found to comply with the limits of Class B digital device, pursuant to part 15 of the FCC Rules. These limits are designed to provide reasonable protection against harmful interference in a residential installation. This equipment generates, uses and can radiate radio frequency energy and, if not installed and used in accordance with the instructions, may cause harmful interference to radio communications. However, there is no guarantee that interference will not occur in a particular installation. If this equipment does cause harmful interference to radio or television reception, which can be determined by turning the equipment off and on, the user is encouraged to try to correct the interference by one or more of the following measures:

- Reorient or relocate the receiving antenna.
- Increase the separation between the equipment and receiver.
- Connect the equipment into an outlet on a circuit different from that to which the receiver is connected.
- Consult the dealer or an experienced radio/TV technician for help.



Compliance

EMC Directive	2014/30/EU
Low Voltage Directive	2014/35/EU
RoHS Recast (RoHS 2)	2011/65/EU (As per standard EN 50581:2012)
Mechanical	
Vibration (sinusoidal)	IEC 60068-2-6 :2007
Protection against Mechanical impact (IK 10)	IEC 62262:2002
Degree of Protection (IP66)	IS/IEC 60529:2001

Disposal of Product after End-Of-Life

WEEE Directive 2002/96/EC

The product referred is covered by the waste Electrical and Electronic Equipment (WEEE) directive and must be disposed of in a responsible manner.

At the end of product life cycle; batteries, soldered boards, metal components and plastic components must be disposed through recyclers.

If you are unable to dispose-off the products or unable to locate e-waste recyclers, you may return the products to Matrix Return Material Authorization (RMA) department.



SECURITY SOLUTIONS

MATRIX COMSEC

Head Office

394-GIDC, Makarpura, Vadodara - 390010, India

Ph: (+91)1800-258-7747

Email: Support@MatrixComSec.com

www.matrixvideosurveillance.com